

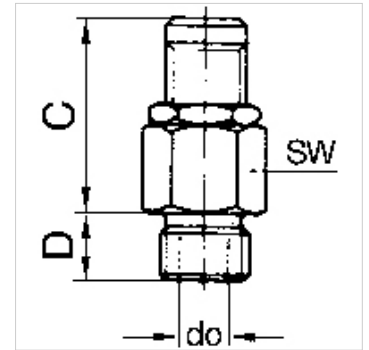
K-ABBLV 1

Blow-off safety valves G 1/8

HANSA FLEX

Свойства

Рабочее давление	0.5 - 60 bar
Рабочая температура	max. 180 °C
Уплотнения	FKM
Корпус	Brass



Указание

G thread acc. to DIN EN ISO 228-1, with ISO flange plate (acc. to ISO 5211)
Прочие данные только по запросу.

Описание

Manual adjustment of the blow-off pressure (lock nut).

Указания по заказу

For use on devices that have to be vented whenever they are turned off, either because of safety regulations or for technical reasons. The pneumatic devices are disconnected from the system and simultaneously vented each time they are shut off.

Дополнительная информация

These blow-off valves can also be supplied with a fixed setting and a TÜV type test number. Please ask for an offer.

Изделие

Наименование	Резьба	Давление реагирования	Пропускная способность продувки	C (mm)	D (mm)	do (mm)	SW (mm)
K- 07 30 29 17	G 1/8	0.5 - 1.0 bar	to 50 l/min	27,0	7,0	3,0	16
K- 07 30 21 89	G 1/8	1.0 - 4.0 bar	to 200 l/min	27,0	7,0	3,0	16
K- 07 30 21 90	G 1/8	3.0 - 7.0 bar	to 350 l/min	27,0	7,0	3,0	16
K- 07 30 21 91	G 1/8	6.0 - 12.0 bar	to 650 l/min	27,0	7,0	3,0	16
K- 07 30 21 92	G 1/8	10.0 - 18.0 bar	to 870 l/min	27,0	7,0	3,0	16
K- 07 30 21 93	G 1/8	16.0 - 32.0 bar	to 1600 l/min	27,0	7,0	3,0	16
K- 07 30 21 94	G 1/8	30.0 - 60.0 bar	to 3000 l/min	27,0	7,0	3,0	16