

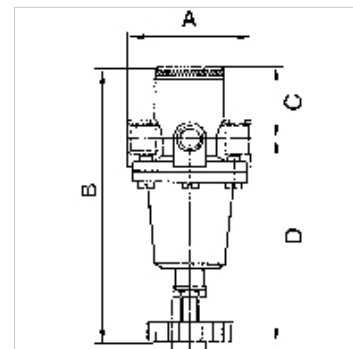
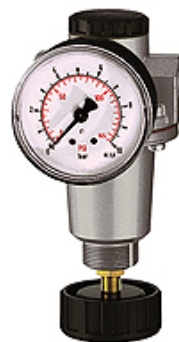
K-DRG VORDRUCK STANDARD

Pressure regulators

HANSA FLEX

Свойства

| | |
|------------------------------|---|
| Входное давление | Max. 16 bar (K-07250336 - K-07250343), max. 25 bar (K-07250344 - K-07250381) |
| Температура среды | max. 60 °C |
| Температура окружающей среды | Max. 80 °C |
| Набивочный материал | Нитрильный каучук |
| Корпус | Die-cast zinc, painted silver |
| Измерение расхода воздуха | At P1 = 8 bar, P2 = 6 bar and pressure drop $\Delta p = 1$ bar |
| Прочие данные | User manual on request |



Описание

Reversible diaphragm pressure regulators, independent of inlet pressure, with self-relieving design.

Изделие

| Наименование | Резьба | Диапазон регулирования | Расход (L/min) | A (mm) | B | C (mm) | D (mm) | DN |
|----------------|---------|------------------------|----------------|--------|----------|--------|--------|----|
| K- 07 25 03 36 | G 1/4 | 0.5 - 3 bar | 1000 | 54,0 | 129,5 mm | 32,0 | 97,5 | 6 |
| K- 07 25 03 37 | G 1/4 | 0.5 - 6 bar | 1000 | 54,0 | 129,5 mm | 32,0 | 97,5 | 6 |
| K- 07 25 03 38 | G 1/4 | 0.5 - 10 bar | 1000 | 54,0 | 129,5 mm | 32,0 | 97,5 | 6 |
| K- 07 25 03 39 | G 1/4 | 0.5 - 16 bar | 1000 | 54,0 | 129,5 mm | 32,0 | 97,5 | 6 |
| K- 07 25 03 40 | G 3/8 | 0.5 - 3 bar | 1000 | 54,0 | 129,5 mm | 32,0 | 97,5 | 6 |
| K- 07 25 03 41 | G 3/8 | 0.5 - 6 bar | 1000 | 54,0 | 129,5 mm | 32,0 | 97,5 | 6 |
| K- 07 25 03 42 | G 3/8 | 0.5 - 10 bar | 1000 | 54,0 | 129,5 mm | 32,0 | 97,5 | 6 |
| K- 07 25 03 43 | G 3/8 | 0.5 - 16 bar | 1000 | 54,0 | 129,5 mm | 32,0 | 97,5 | 6 |
| K- 07 25 03 44 | G 1/2 | 0.1 - 3 bar | 2200 | 70,0 | 145,9 mm | 34,0 | 111,9 | 15 |
| K- 07 25 03 45 | G 1/2 | 0.5 - 6 bar | 2200 | 70,0 | 145,9 mm | 34,0 | 111,9 | 15 |
| K- 07 25 03 46 | G 1/2 | 0.5 - 10 bar | 2200 | 70,0 | 145,9 mm | 34,0 | 111,9 | 15 |
| K- 07 25 03 47 | G 1/2 | 0.5 - 16 bar | 2200 | 70,0 | 145,9 mm | 34,0 | 111,9 | 15 |
| K- 07 25 03 48 | G 3/4 | 0.1 - 3 bar | 5000 | 90,0 | 163,4 mm | 31,0 | 132,4 | 20 |
| K- 07 25 03 49 | G 3/4 | 0.5 - 6 bar | 5000 | 90,0 | 163,4 mm | 31,0 | 132,4 | 20 |
| K- 07 25 03 50 | G 3/4 | 0.5 - 10 bar | 5000 | 90,0 | 163,4 mm | 31,0 | 132,4 | 20 |
| K- 07 25 03 51 | G 3/4 | 0.5 - 16 bar | 5000 | 90,0 | 163,4 mm | 31,0 | 132,4 | 20 |
| K- 07 25 03 52 | G 1 | 0.1 - 3 bar | 5000 | 90,0 | 163,4 mm | 31,0 | 132,4 | 25 |
| K- 07 25 03 53 | G 1 | 0.5 - 6 bar | 5000 | 90,0 | 163,4 mm | 31,0 | 132,4 | 25 |
| K- 07 25 03 54 | G 1 | 0.5 - 10 bar | 5000 | 90,0 | 163,4 mm | 31,0 | 132,4 | 25 |
| K- 07 25 03 55 | G 1 | 0.5 - 16 bar | 5000 | 90,0 | 163,4 mm | 31,0 | 132,4 | 25 |
| K- 07 25 03 56 | G 1 1/4 | 0.5 - 3 bar | 16500 | 125,0 | 252,5 mm | 52,0 | 200,5 | 25 |
| K- 07 25 03 57 | G 1 1/4 | 0.5 - 10 bar | 16500 | 125,0 | 252,5 mm | 52,0 | 200,5 | 25 |
| K- 07 25 03 58 | G 1 1/4 | 0.5 - 16 bar | 16500 | 125,0 | 252,5 mm | 52,0 | 200,5 | 25 |
| K- 07 25 03 79 | G 1 1/2 | 0.5 - 3 bar | 16500 | 125,0 | 252,5 mm | 52,0 | 200,5 | 35 |
| K- 07 25 03 80 | G 1 1/2 | 0.5 - 10 bar | 16500 | 125,0 | 252,5 mm | 52,0 | 200,5 | 35 |
| K- 07 25 03 81 | G 1 1/2 | 0.5 - 16 bar | 16500 | 125,0 | 252,5 mm | 52,0 | 200,5 | 35 |

Запасные части

| | |
|----------------------------|---|
| K-HALTERBAUSATZ STANDARD | Holder |
| K-VERSCHLEI-SATZ | Set of wearing parts |
| K-XV AGM MS NI | Double nipples, parallel male thread, nickel-plated brass |
| K-LOESBARE DOPPELNIPPEL MS | Double nipples |