

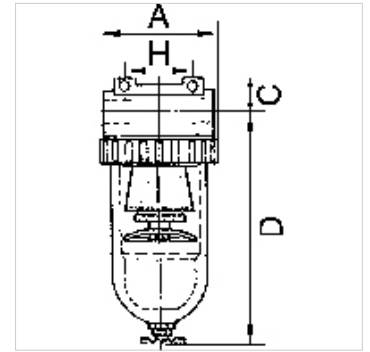
K-FI PC-BEHÄLTER H ABLV STANDARD

Filters with polycarbonate bowl and semi-automatic drain valve

HANSA FLEX

Свойства

| | |
|-----------------------------------|---|
| Входное давление | Max. 16 bar (polycarbonate bowl / bowl guard), Max. 25 bar (metal bowl) |
| Температура среды | max. 60 °C |
| Температура окружающей среды | Max. 60 °C |
| Размер пор в фильтрующем элементе | 5 µm (Size 1 / Size 3), 40 µm (Size 2 / Size 4), 60 µm (Size 5) |
| Корпус | Die-cast zinc, painted silver |
| Измерение расхода воздуха | At P2 = 6 bar and pressure drop $\Delta p = 1$ bar |
| Прочие данные | User manual on request |



Указание

G 2 1/2 and G 3 filters available on request

Описание

Centrifugal separators with a sintered filter element.

Изделие

| Наименование | Резьба | Расход (L/min) | A (mm) | C (mm) | D (mm) | DN | H (mm) |
|----------------|---------|----------------|--------|--------|--------|----|--------|
| K- 07 25 05 85 | G 1/4 | 800 | 48,0 | 14,0 | 131,6 | 6 | 38,0 |
| K- 07 25 05 88 | G 3/8 | 800 | 48,0 | 14,0 | 131,6 | 6 | 38,0 |
| K- 07 25 05 91 | G 3/8 | 3100 | 70,0 | 16,0 | 145,7 | 10 | 50,0 |
| K- 07 25 05 94 | G 1/2 | 4000 | 79,0 | 18,0 | 168,4 | 15 | 50,0 |
| K- 07 25 05 97 | G 3/4 | 4000 | 102,0 | 26,5 | 169,9 | 20 | 50,0 |
| K- 07 25 06 00 | G 1 | 4000 | 90,0 | 26,5 | 169,9 | 25 | 50,0 |
| K- 07 25 06 03 | G 1 1/4 | 12500 | 125,0 | 36,5 | 243,4 | 40 | 105,0 |
| K- 07 25 06 06 | G 1 1/2 | 12500 | 125,0 | 36,5 | 243,4 | 45 | 105,0 |

Запасные части

| | |
|----------------------------|---|
| K-HALTERBAUSATZ STANDARD | Holder |
| K-FILTERELEMENT | Filter element |
| K-SCHUTZKORB G | Protective cage |
| K-AUTOMAT ABLASSVENTIL | Automatic drain valve |
| K-XV AGM MS NI | Double nipples, parallel male thread, nickel-plated brass |
| K-LOESBARE DOPPELNIPPEL MS | Double nipples |
| K-ABLASSVENTIL AUTO | Fully-automatic drain valve with Adapter G 1/8 |