

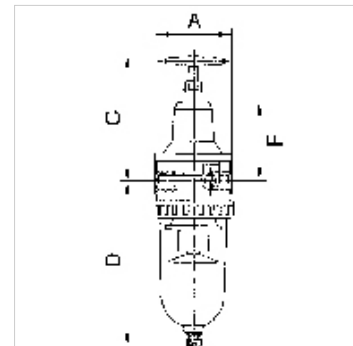
K-FI REGL PC-BEHÄLTER S H ABL STANDARD

Filter regulators with polycarbonate bowl, bowl guard and semi-automatic drain valve

HANSA FLEX

Свойства

| | |
|-----------------------------------|---|
| Входное давление | Max. 16 bar (polycarbonate bowl), Max. 25 bar (metal bowl) |
| Диапазон регулирования | 0.5 to 10 bar (polycarbonate bowl), 0.5 to 16 bar (metal bowl) |
| Температура среды | max. 60 °C |
| Температура окружающей среды | Max. 60 °C |
| Размер пор в фильтрующем элементе | 5 µm (Size 1 / Size 3), 40 µm (Size 2 / Size 4) |
| Набивочный материал | Нитрильный каучук |
| Корпус | Die-cast zinc (G1/4 to G1/2), silver painted/aluminium (G3/4 to G1), silver painted |
| Измерение расхода воздуха | At P1 = 8 bar, P2 = 6 bar and pressure drop $\Delta p = 1$ bar |



Указание

Прочие данные только по запросу.

Описание

Reversible diaphragm pressure regulators, independent of inlet pressure, with selfrelieving design, combined with a centrifugal separator.

Изделие

| Наименование | Резьба | Расход (L/min) | A (mm) | C (mm) | D (mm) | DN | F (mm) |
|----------------|--------|----------------|--------|--------|--------|----|--------|
| K- 07 25 06 68 | G 1/4 | 900 | 54,0 | 106,5 | 129,7 | 8 | 62,0 |
| K- 07 25 06 71 | G 3/8 | 900 | 54,0 | 106,5 | 129,7 | 8 | 62,0 |
| K- 07 25 06 74 | G 3/8 | 1500 | 70,0 | 120,5 | 145,9 | 11 | 76,5 |
| K- 07 25 06 78 | G 1/2 | 3000 | 82,0 | 130,0 | 169,4 | 14 | 83,0 |
| K- 07 25 06 81 | G 3/4 | 7000 | 125,0 | 190,6 | 261,4 | 25 | 145,0 |
| K- 07 25 06 84 | G 1 | 7000 | 125,0 | 190,6 | 261,4 | 25 | 145,0 |

Запасные части

| | |
|----------------------------|---|
| K-HALTERBAUSATZ STANDARD | Holder |
| K-SCHUTZKORB G | Protective cage |
| K-FILTERELEMENT | Filter element |
| K-VERSCHLEI-SATZ | Set of wearing parts |
| K-XV AGM MS NI | Double nipples, parallel male thread, nickel-plated brass |
| K-LOESBARE DOPPELNIPPEL MS | Double nipples |
| K-ABLASSVENTIL AUTO | Fully-automatic drain valve with Adapter G 1/8 |
| K-AUTOMAT ABLASSVENTIL | Automatic drain valve |