

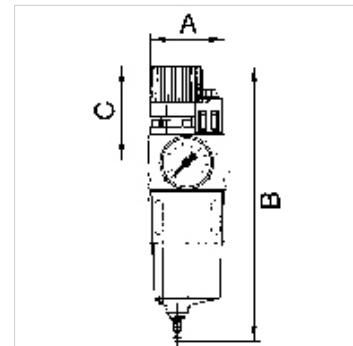
K-WTEH KOMBI PC-BEHAE LTER H ABLV

Combination service units with polycarbonate bowl and manual drain valve

HANSA FLEX

Свойства

| | |
|-----------------------------------|--|
| Входное давление | Max. 16 bar (polycarbonate bowl), Max. 25 bar (metal bowl) |
| Температура среды | max. 50 °C |
| Температура окружающей среды | Max. 50 °C |
| Размер пор в фильтрующем элементе | 50 µm |
| Набивочный материал | Нитрильный каучук |
| Корпус | Die-cast zinc, Spring bonnet; PA |
| Капельная насадка | PA |
| Измерение расхода воздуха | At P1 = 8 bar, P2 = 6 bar and pressure drop $\Delta p = 1$ bar |



Указание

Прочие данные только по запросу.

Описание

A filter, pressure regulator and oil-mist lubricator combined in a single device with an extremely compact design. The pressure setting can be locked by pushing the knob down. Oil can be filled under pressure.

Изделие

| Наименование | Резьба | Диапазон регулирования | Расход (L/min) | A (mm) | B | C (mm) |
|----------------|--------|------------------------|----------------|--------|----------|--------|
| K- 07 25 08 44 | G 1/4 | 0.5 - 10 bar | 1400 | 67,0 | 217,0 mm | 68,5 |
| K- 07 25 08 46 | G 1/4 | 0.5 - 16 bar | 1000 | 67,0 | 217,0 mm | 68,5 |
| K- 07 25 08 48 | G 3/8 | 0.5 - 10 bar | 1400 | 67,0 | 217,0 mm | 68,5 |
| K- 07 25 08 50 | G 3/8 | 0.5 - 16 bar | 1000 | 67,0 | 217,0 mm | 68,5 |
| K- 07 25 08 52 | G 1/2 | 0.5 - 10 bar | 1400 | 65,0 | 217,0 mm | 68,5 |
| K- 07 25 08 54 | G 1/2 | 0.5 - 16 bar | 1000 | 65,0 | 217,0 mm | 68,5 |
| K- 07 25 08 56 | G 3/4 | 0.5 - 10 bar | 3400 | 97,0 | 296,5 mm | 96,5 |
| K- 07 25 08 58 | G 3/4 | 0.5 - 16 bar | 2800 | 97,0 | 296,5 mm | 96,5 |
| K- 07 25 08 60 | G 1 | 0.5 - 10 bar | 3400 | 93,0 | 296,5 mm | 96,5 |
| K- 07 25 08 62 | G 1 | 0.5 - 16 bar | 2800 | 93,0 | 296,5 mm | 96,5 |

Запасные части

| | |
|--------------------------|--|
| K-HALTERBAUSATZ SERIE 81 | Holder for series 81 |
| K-ERSATZBEHAEL KOMBI | Spare tank |
| K-SCHUTZKORB G | Protective cage |
| K-VERSCHLEI-SATZ | Set of wearing parts |
| K-TROPFAUFSATZ POLYCARBO | Drip attachment polycarbonate |
| K-TROPFAUFSATZ METALL | Drip attachment metal |
| K-FILTERELEMENT | Filter element |
| K-ABLASSVENTIL AUTO | Fully-automatic drain valve with Adapter G 1/8 |
| K-RD NIPPEL KURZ 1 | Reducing nipples, short type |
| K-XV AGM 2 | Double nipples, parallel male thread |