

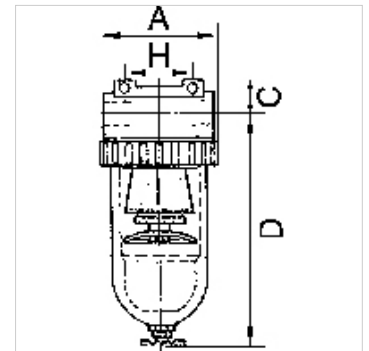
K-FI SPEZI PC-BEHAEALTER H STANDAD

Special filters with polycarbonate bowl, with semi-automatic drain valve to G 1/2 and manual drain valve from G 3/4

HANSA FLEX

Свойства

Входное давление	Max. 16 bar (polycarbonate bowl / bowl guard), Max. 25 bar (metal bowl)
Температура среды	max. 50 °C
Температура окружающей среды	Max. 50 °C
Кoeffициент полезного действия	99.999 %
Размер пор в фильтрующем элементе	0.01 µm
Корпус	Die-cast zinc, painted silver
Измерение расхода воздуха	At P2 = 6 bar and pressure drop Δp = 1 bar



Указание

Прочие данные только по запросу.

Описание

For all applications with particularly strict compressed air purity requirements. The separating efficiency of these filters permits very fine oil vapour particles and micro-fine suspended particles to be filtered. A standard filter should always be connected upstream to trap coarse impurities and protect the micro-filter inserts.

Изделие

Наименование	Резьба	Расход (L/min)	A (mm)	C (mm)	D (mm)	H (mm)	DN
K- 07 25 10 76	G 3/8	380	48,0	14,0	131,6	38,0	6
K- 07 25 10 83	G 3/4	7000	133,0	36,0	206,0	134,0	20
K- 07 25 10 86	G 1	7000	133,0	36,0	206,0	120,0	25

Запасные части

K-HALTERBAUSATZ STANDARD	Holder
K-FILTERELEMENT STANDARD	Filter element
K-SCHUTZKORB G	Protective cage
K-XV AGM MS NI	Double nipples, parallel male thread, nickel-plated brass
K-LOESBARE DOPPELNIPPEL MS	Double nipples