

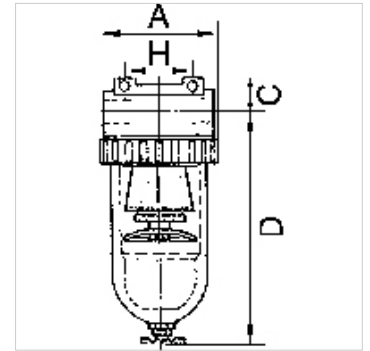
K-FI SPEZI PC-BEHÄLTER H K STANDARD

Special filters with polycarbonate bowl and bowl guard, with semi-automatic drain valve to G 1/2 and manual drain valve from G 3/4

HANSA FLEX

Свойства

| | |
|-----------------------------------|---|
| Входное давление | Max. 16 bar (polycarbonate bowl / bowl guard), Max. 25 bar (metal bowl) |
| Температура среды | max. 50 °C |
| Температура окружающей среды | Max. 50 °C |
| Кoeffициент полезного действия | 99.999 % |
| Размер пор в фильтрующем элементе | 0.01 µm |
| Корпус | Die-cast zinc, painted silver |
| Измерение расхода воздуха | At P2 = 6 bar and pressure drop Δp = 1 bar |



Указание

Прочие данные только по запросу.

Описание

For all applications with particularly strict compressed air purity requirements. The separating efficiency of these filters permits very fine oil vapour particles and micro-fine suspended particles to be filtered. A standard filter should always be connected upstream to trap coarse impurities and protect the micro-filter inserts.

Изделие

| Наименование | Резьба | Расход (L/min) | A (mm) | C (mm) | D (mm) | H (mm) | DN |
|----------------|--------|----------------|--------|--------|--------|--------|----|
| K- 07 25 10 75 | G 1/4 | 380 | 48,0 | 14,0 | 131,6 | 38,0 | 6 |
| K- 07 25 10 78 | G 3/8 | 380 | 48,0 | 14,0 | 131,6 | 38,0 | 6 |
| K- 07 25 10 80 | G 3/8 | 720 | 70,0 | 16,0 | 145,7 | 50,0 | 10 |
| K- 07 25 10 82 | G 1/2 | 1250 | 79,0 | 18,0 | 168,4 | 50,0 | 15 |
| K- 07 25 10 85 | G 3/4 | 7000 | 133,0 | 36,0 | 206,0 | 134,0 | 20 |
| K- 07 25 10 88 | G 1 | 7000 | 133,0 | 36,0 | 206,0 | 120,0 | 25 |

Запасные части

| | |
|----------------------------|---|
| K-HALTERBAUSATZ STANDARD | Holder |
| K-FILTERELEMENT STANDARD | Filter element |
| K-SCHUTZKORB G | Protective cage |
| K-XV AGM MS NI | Double nipples, parallel male thread, nickel-plated brass |
| K-LOESBARE DOPPELNIPPEL MS | Double nipples |