

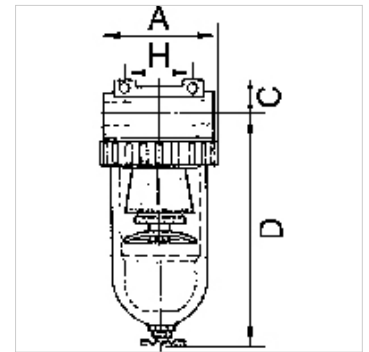
# K-FI SPEZI METALLBEHAEL M STANDARD

Special filters with metal bowl and manual drain valve

**HANSA FLEX**

## Свойства

|                                   |   |
|-----------------------------------|---|
| Входное давление                  | Max. 16 bar (polycarbonate bowl / bowl guard), Max. 25 bar (metal bowl) |
| Температура среды                 | max. 50 °C  |
| Температура окружающей среды      | Max. 50 °C  |
| Кoeffициент полезного действия    | 99.999 %  |
| Размер пор в фильтрующем элементе | 0.01 µm   |
| Корпус                            | Die-cast zinc, painted silver   |
| Измерение расхода воздуха         | At P2 = 6 bar and pressure drop $\Delta p = 1$ bar                      |



## Указание

Прочие данные только по запросу.

## Описание

For all applications with particularly strict compressed air purity requirements. The separating efficiency of these filters permits very fine oil vapour particles and micro-fine suspended particles to be filtered. A standard filter should always be connected upstream to trap coarse impurities and protect the micro-filter inserts.

## Изделие

| Наименование   | Резьба | Расход (L/min) | A (mm) | C (mm) | D (mm) | H (mm) | DN |
|----------------|--------|----------------|--------|--------|--------|--------|----|
| K- 07 25 10 74 | G 1/4  | 380            | 48,0   | 14,0   | 133,5  | 38,0   | 6  |
| K- 07 25 10 77 | G 3/8  | 380            | 48,0   | 14,0   | 133,5  | 38,0   | 6  |
| K- 07 25 10 79 | G 3/8  | 720            | 70,0   | 16,0   | 159,0  | 50,0   | 10 |
| K- 07 25 10 81 | G 1/2  | 1250           | 79,0   | 18,0   | 171,0  | 50,0   | 15 |
| K- 07 25 10 84 | G 3/4  | 7000           | 133,0  | 36,0   | 206,0  | 134,0  | 20 |
| K- 07 25 10 87 | G 1    | 7000           | 133,0  | 36,0   | 206,0  | 120,0  | 25 |

## Запасные части

|                            |   |
|----------------------------|---|
| K-HALTERBAUSATZ STANDARD   | Holder  |
| K-FILTERELEMENT STANDARD   | Filter element  |
| K-SCHUTZKORB G             | Protective cage   |
| K-XV AGM MS NI             | Double nipples, parallel male thread, nickel-plated brass |
| K-LOESBARE DOPPELNIPPEL MS | Double nipples  |