

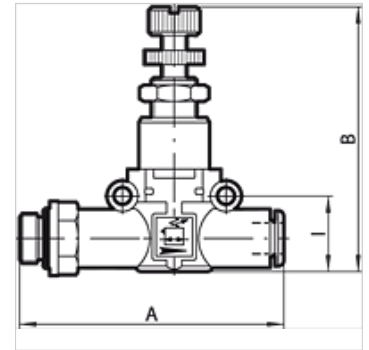
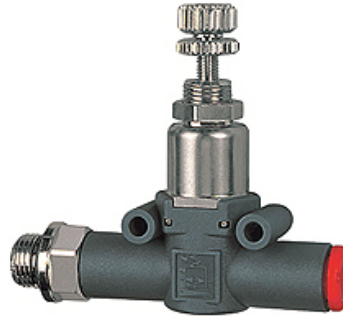
# K-DRG GEW SCHL

Pressure regulators, thread (input) - pipe (output)

**HANSA FLEX**

## Свойства

Рабочее давление	2 - 10 bar
Расход 6,3 бар	400 NI/min (Ø 6 and G 1/8), 600 NI/min (Ø 8 and G 1/4)
Область температур	-20 °C to +60 °C
Корпус	Technopolymer
Внутренние детали	nickel-plated brass, brass, Technopolymer, stainless steel
Набивочный материал	Нитрильный каучук
Монтаж	Wall mounting (housing with drilled holes) Bracket mounting (mounting bracket available) Panel mounting (with bracket or lock nut)
Символ	on the housing



## Указание

Прочие данные только по запросу.

## Описание

A carefully selected assortment of products for installation in pneumatic circuits. These small, highly efficient components allow all pneumatic functions to be implemented anywhere in the circuit. The series has an ultramodular design. All components can be installed in parallel, in series, in a mixed parallel / serial configuration. Available as Pipe / pipe connection with two plug connectors Thread / pipe connection, with one plug connector and one nickel-plated brass thread.

## Изделие

Наименование	Резьба	для шланга Ø (mm)	Диапазон регулирования	A (mm)	B (mm)	I (mm)
K- 07 25 03 14	G 1/8	6	1 - 8 bar	58,5	52,0	14,6
K- 07 25 03 15	G 1/8	8	1 - 8 bar	61,5	52,0	14,6
K- 07 25 03 12	G 1/4	6	1 - 8 bar	66,2	58,0	18,7
K- 07 25 03 13	G 1/4	8	1 - 8 bar	70,6	58,0	18,7
K- 07 25 03 16	G 3/8	8	1 - 8 bar	72,2	58,0	18,7