

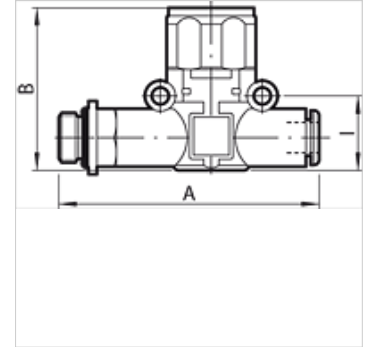
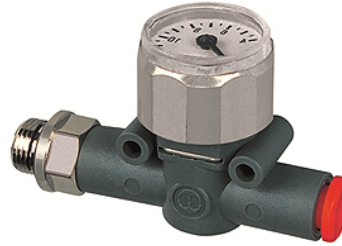
K-MANO GEW SCHL

Pressure gauges, thread (input) - pipe (output)

HANSA FLEX

Свойства

Рабочее давление	макс. 12 бар
Точность измерения	+/- 4 % of full-scale value
Масштабирование	0 - 12 бар
Область температур	-20 °C to +60 °C
Корпус	Technopolymer
Внутренние детали	nickel-plated brass, brass, technopolymer, stainless steel
Набивочный материал	Нитрильный каучук
Монтаж	Wall mounting (housing with drilled holes) Bracket mounting (mounting bracket available) Panel mounting (with bracket or lock nut)
Символ	on the housing



Указание

Прочие данные только по запросу.

Описание

A carefully selected assortment of products for installation in pneumatic circuits. These small, highly efficient components allow all pneumatic functions to be implemented anywhere in the circuit. The series has an ultramodular design. All components can be installed in parallel, in series, in a mixed parallel / serial configuration. Available as Pipe / pipe connection with two plug connectors Thread / pipe connection, with one plug connector and one nickel-plated brass thread.

Изделие

Наименование	Резьба	для шланга Ø (mm)	A (mm)	B (mm)	l (mm)
K- 07 15 25 39	M 5	4	47,7	36,1	12,8
K- 07 15 25 40	G 1/8	4	51,5	36,1	12,8
K- 07 15 14 15	G 1/8	6	58,3	35,0	14,6
K- 07 15 14 16	G 1/8	8	66,4	41,1	18,7
K- 07 15 14 13	G 1/4	6	61,3	35,0	14,6
K- 07 15 14 14	G 1/4	8	70,8	41,1	18,7
K- 07 15 14 17	G 3/8	8	72,4	41,1	18,7