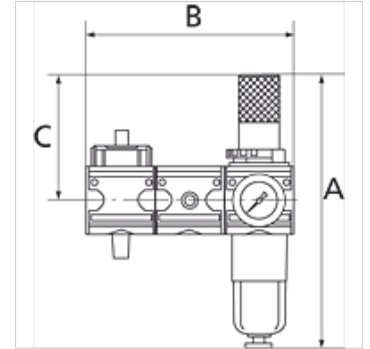


K-WTST SAFETY BKR SCHA AN FILR MULT

SAFETY service unit sets, comprising a ball valve with silencer, start-up valve and filter regulator with lock cylinder

HANSA FLEX

Свойства	
Входное давление	2 - 16 bar
Выходное давление	0.5 - 10 bar
Область температур	Max. 60 °C
Рабочие среды	Сжатый воздух
Набивочный материал	Нитрильный каучук
Емкость	Polycarbonate (with bayonet lock) and bowl guard
Пружинная крышка	POM
Фильтрующий элемент	Cellpor (PE) 5 µm
Корпус	Die-cast zinc
Мембрана	NBR
Drain valve	Semi-automatic
Измерение расхода воздуха	At P1 = 8 bar, P2 = 6 bar and pressure drop $\Delta p = 1$ bar
Прочие данные	see data sheets of the individual components (on request)
Соединение вентиляции Шаровой кран	Silencer



Описание

These compressed air service unit sets, comprising a ball valve with silencer, a start-up valve and one out of a pressure regulator, filter regulator or service unit, meet even the strictest requirements for operating reliability and accident prevention!

Указания по заказу

The price does not include a padlock. Please order separately. For accessories and spare parts, refer to individual components: ball valve, start-up valve, pressure regulator, filter regulator, 2-piece service unit.

Изделие

Наименование	Резьба	Расход (L/min)	A (mm)	B	C (mm)	Отвод конденсата
K- 07 25 15 14	G 1/4	1000	219,1	137,8 mm	94,0	Semi-automatic
K- 07 25 15 15	G 1/2	4000	269,3	200,8 mm	122,0	Semi-automatic
K- 07 25 15 16	G 1	12000	410,8	282,8 mm	157,0	Semi-automatic