

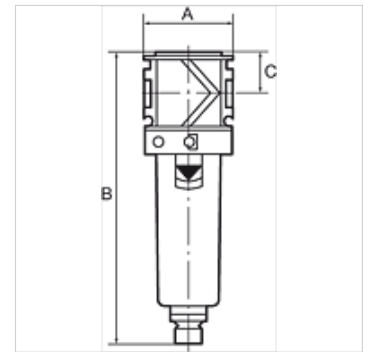
# K-FI PC-BEHÄLTER SCHUTZ VARIOBLOC

Filters with polycarbonate bowl and bowl guard

**HANSA FLEX**

## Свойства

|                                   |  |
|-----------------------------------|--|
| Входное давление                  | Max. 16 bar (polycarbonate bowl), Max. 20 bar (metal bowl) |
| Температура среды                 | max. 50 °C   |
| Температура окружающей среды      | Max. 50 °C (polycarbonate bowl), Max. 80 °C (metal bowl)   |
| Размер пор в фильтрующем элементе | 40 µm  |
| Набивочный материал               | Нитрильный каучук  |
| Корпус                            | Die-cast zinc  |
| Drain valve                       | Manual   |
| Измерение расхода воздуха         | At P1 = 6 bar and pressure drop $\Delta p = 1$ bar         |



## Указание

Прочие данные только по запросу.

## Описание

Centrifugal separators with a sintered filter element. Filtration takes place in a 2-stage process comprising cyclone separation (condensate) and a PE filter element (particles). Approved series in modern industrial design, with the following key benefits: Simple handling, Convenient modular assembly thanks to innovative fasteners, Excellent flow values.

## Указания по заказу

Filters are also available with bowl guard or metal bowl.

## Изделие

| Наименование   | Резьба | Расход (L/min) | A (mm) | B        | C (mm) |
|----------------|--------|----------------|--------|----------|--------|
| K- 07 25 23 06 | G 1/4  | 1800           | 48,0   | 155,0 mm | 22,0   |
| K- 07 25 23 05 | G 3/8  | 2000           | 48,0   | 155,0 mm | 22,0   |
| K- 07 25 23 04 | G 1/2  | 3200           | 70,0   | 202,0 mm | 26,0   |
| K- 07 25 23 03 | G 3/4  | 3500           | 70,0   | 202,0 mm | 26,0   |
| K- 07 25 23 02 | G 1    | 3500           | 124,0  | 202,0 mm | 26,0   |