

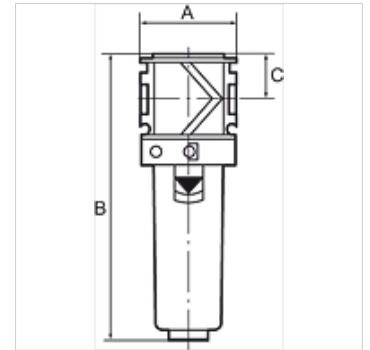
# K-FI AK KOH METALLBEHAEL SI VARIOBL

Activated carbon filters with metal bowl incl. sight glass

**HANSA FLEX**

## Свойства

Входное давление	Max. 16 bar (polycarbonate bowl), Max. 20 bar (metal bowl)
Температура среды	max. 50 °C
Температура окружающей среды	Max. 50 °C (polycarbonate bowl), Max. 80 °C (metal bowl)
Качество воздуха ISO 85731	Class 1 dirt, class 1 oil
Остаточное содержание	0,003 mg/m3
Измерение расхода воздуха	At P1 = 7 bar and pressure drop $\Delta p = 0,1$ bar



## Указание

Activated carbon filters are also supplied with protective cage or metal container.

Прочие данные только по запросу.

## Описание

The activated carbon filter absorbs oil vapour from the compressed air. The entering compressed air needs to be dry and free of contaminants (an upstream microfilter is strongly recommended).

## Изделие

Наименование	Резьба	Расход (L/min)	A (mm)	B	C (mm)
K- 07 25 23 07	G 1/4	800	48,0	142,0 mm	22,0
K- 07 25 23 08	G 3/8	1000	48,0	142,0 mm	22,0
K- 07 25 23 09	G 1/2	1200	70,0	193,0 mm	26,0
K- 07 25 23 10	G 3/4	1300	70,0	193,0 mm	26,0
K- 07 25 23 11	G 1	1300	124,0	193,0 mm	26,0