

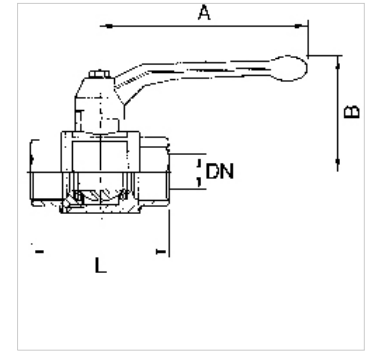
K-BKR GELB STAHLHEBEL IG AG

Ball valves with yellow steel lever, lightweight type, female/male thread

HANSA FLEX

Свойства

Область применения	Compressed air, water, non-toxic and non-corrosive gases, heating systems, agriculture
Рабочее давление	Max. 40 bar
Рабочая температура	-15 °C to +90 °C
Резьба, описание	G thread acc. DIN EN ISO 228-1
Корпус	Nickel-plated brass
Рычаг	Steel, with plastic coating
Шар	Chrome-plated brass
Уплотнение шара	PTFE
Уплотнение шпинделя	HNBR / EPDM / PTFE. 2 O-Rings (HNBR / EPDM) 1 gasket (PTFE) additional PTFE-gasket



Указание

Прочие данные только по запросу.

Изделие

Наименование	DN	Резьба	A (mm)	B (mm)	L (mm)
K- 07 30 00 49	8	G 1/4	85,0	42,0	44,0
K- 07 30 00 53	10	G 3/8	85,0	42,0	51,0
K- 07 30 00 57	15	G 1/2	85,0	46,0	60,0
K- 07 30 00 61	20	G 3/4	105,0	53,0	70,0
K- 07 30 00 65	25	G 1	105,0	57,0	79,0
K- 07 30 00 69	32	G 1 1/4	130,0	70,0	91,0
K- 07 30 00 73	40	G 1 1/2	130,0	76,0	104,0
K- 07 30 00 77	50	G 2	165,0	92,0	122,0