

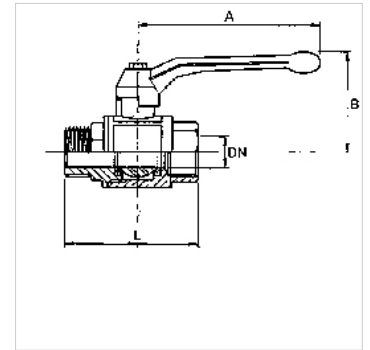
# K-BKR LANG IG AG

Ball valves, long-threaded type, female/male thread

**HANSA FLEX**

## Свойства

Область применения	Compressed air, water, non-toxic and non-corrosive gases, heating systems, agriculture
Рабочее давление	Max. 40 bar
Рабочая температура	-15 °C to +90 °C
Резьба, описание	Thread acc. to ISO 7-1
Корпус	Nickel-plated brass
Рычаг	Aluminium, painted black
Шар	Chrome-plated brass
Уплотнение шара	PTFE
Уплотнение шпинделя	NBR / EPDM



## Указание

G thread acc. to DIN EN ISO 228-1, with ISO flange plate (acc. to ISO 5211)

Прочие данные только по запросу.

## Указания по заказу

For use on devices that have to be vented whenever they are turned off, either because of safety regulations or for technical reasons. The pneumatic devices are disconnected from the system and simultaneously vented each time they are shut off.

## Дополнительная информация

The pressure values refer to a maximum operating temperature of 40 °C. Lower maximum pressure apply at higher temperatures. See data sheet.

## Изделие

Наименование	DN	Резьба	A (mm)	B (mm)	L (mm)
K- 07 30 21 37	8	Rp/R 1/4	85,0	42,0	52,0
K- 07 30 21 38	10	Rp/R 3/8	85,0	42,0	54,0
K- 07 30 21 39	15	Rp/R 1/2	85,0	46,0	67,0
K- 07 30 21 40	20	Rp/R 3/4	105,0	53,0	78,0
K- 07 30 21 41	25	Rp/R 1	105,0	57,0	89,0
K- 07 30 21 42	32	Rp/R 1 1/4	130,0	70,0	103,0
K- 07 30 21 43	40	Rp/R 1 1/2	130,0	76,0	113,0
K- 07 30 21 44	50	Rp/R 2	165,0	92,0	136,0