

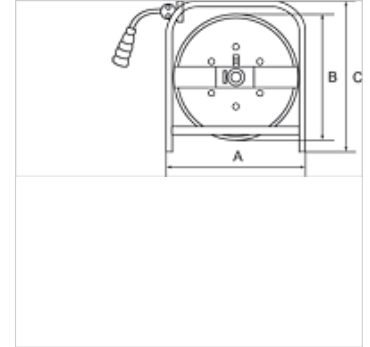
K-SCHL-AUFROLLER MOBIL

Hose reels for mobile applications

HANSA FLEX

Свойства

Материал шланга	Polyurethane
Рабочее давление	макс. 10 бар
Рабочая температура	-10 °C to +40 °C
Вход	Hose stem 8 mm
Соединительная резьба	Coupling G 3/8



Указание

Прочие данные только по запросу.

Описание

Specially designed for mobile applications. This 50 m long polyurethane hose is mounted in a portable four-wheel cart made from blue anodised steel. An automatic latching mechanism allows the hose to be engaged at any length. Enclosed spring. Precise locking device for continuous feeding or latching mechanism. Reel guide prevents excessive wear on the hose.

Изделие

Наименование	Размер шланга	A (mm)	B (mm)	C (mm)	Длина шланга (m)
K- 07 10 06 16	12 mm x 8 mm	452,0	400,0	460,0	50