

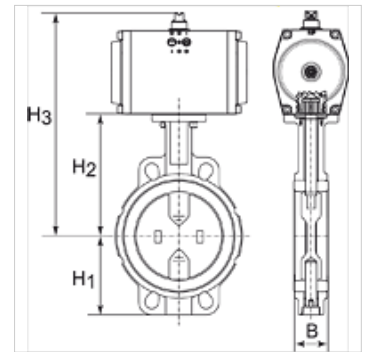
K-ZFL ABSP-KLAPPEN DOPPEL

Butterfly valves, with double-acting actuator, min. pilot pressure 5 bar

HANSA FLEX

Свойства

Модель	Pneumatic actuators, in double- or single acting version
Рабочее давление	Max. 16 bar
Рабочая температура	-15 °C to +120 °C
Рабочие среды	Water / steam, salt water, salt water, ester, ketone, alkali, caustic soda, sodium hydroxide. Not recommended for hydrocarbons
Управляющее давление	5.5 bar
Адаптер для клапана	Supplied as standard, operated by a 3/2- or 5/2-way valve
Угол поворота	90 °
Привод	aluminium eloxed
Уплотнение привода	NBR
Корпус	Grey cast iron GG25 epoxy resin coated, RAL 5015
Уплотнение	EPDM
Вал	SS416
Сальниковое уплотнение	EPDM
Настройка	



Указание

Прочие данные только по запросу.

Изделие

Наименование	Шайба	DN	B (mm)	H1 (mm)	H2 (mm)	H3 (mm)	L (mm)
K- 07 30 03 28	Stainless Steel CF8M/1.4404	40	38,0	68,0	108,0	212,0	94,0
K- 07 30 03 29	Stainless Steel CF8M/1.4404	50	47,0	71,0	143,0	247,0	100,0
K- 07 30 03 30	Stainless Steel CF8M/1.4404	65	49,0	78,0	155,0	259,0	115,0
K- 07 30 03 31	Stainless Steel CF8M/1.4404	80	47,0	89,0	162,0	280,0	127,0
K- 07 30 03 32	Stainless Steel CF8M/1.4404	100	56,0	102,0	178,0	308,0	163,0
K- 07 30 03 33	Stainless Steel CF8M/1.4404	125	59,0	123,0	191,0	321,0	190,0
K- 07 30 03 35	Stainless Steel CF8M/1.4404	150	59,0	138,0	205,0	352,0	216,0