

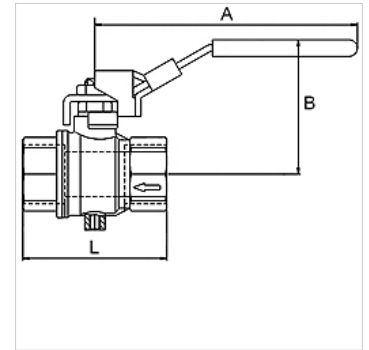
K-S-BKR M ENTL-BOHR ABSCHL

Safety ball valves, lockable, with relief port

HANSA FLEX

Свойства

Рабочая температура	-10 °C to + 100 °C (depending on operating pressure)
Вентиляционное отверстие	M 5 (>1": Relief port G 1/4")
Резьба, описание	Rp thread acc. to EN 10226
Корпус	Nickel-plated brass
Рукоятка	Steel - PVC coated
Шар	hardchrome-plated brass
Уплотнение шара	PTFE
Уплотнение шпинделя	PTFE



Указание

G thread acc. to DIN EN ISO 228-1, with ISO flange plate (acc. to ISO 5211)

Прочие данные только по запросу.

Описание

2/2-way safety ball valves, two parts, made of nickel-plated brass. Specially designed for pneumatic applications. The valve shuts off the supply line and bleeds the application area. Lockable hand lever in closed position.

Дополнительная информация

The price does not include a padlock. Please order separately.

Изделие

Наименование	DN	Резьба	PN (бар)	A (mm)	B (mm)	L (mm)
K- 07 30 29 29	8	Rp 1/4	14	96,0	49,0	45,0
K- 07 30 29 30	10	Rp 3/8	14	96,0	49,0	45,0
K- 07 30 29 31	15	Rp 1/2	14	96,0	51,0	59,0
K- 07 30 29 32	20	Rp 3/4	14	117,0	60,0	64,0
K- 07 30 29 33	25	Rp 1	14	117,0	64,0	81,0
K- 07 30 29 34	32	Rp 1 1/4	14	157,0	80,0	93,0
K- 07 30 29 35	40	Rp 1 1/2	14	157,0	86,0	102,0
K- 07 30 29 36	50	Rp 2	14	157,0	93,0	121,0

Принадлежности

K-VORHAENGESCHLOSS Padlock