

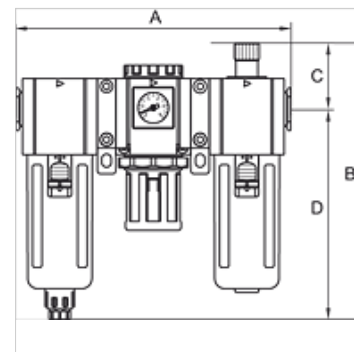
K-WTEH 3-TLG PC SCHU WAND V G

Service units, 3-piece with polycarbonate bowl, bowl guard and joiner for wall mounting, fully-automatic drain valve

HANSA FLEX

Свойства

| | |
|-----------------------------------|--|
| Входное давление | Max. 10 bar |
| Температура среды | max. 70 °C |
| Температура окружающей среды | Max. 70 °C |
| Размер пор в фильтрующем элементе | 5 µm |
| Набивочный материал | Нитрильный каучук |
| Пружинная крышка | POM |
| Корпус | Die-cast aluminium |
| Капельная насадка | Brass/POM |
| Drain valve | Semi- or fully-automatic |
| Измерение расхода воздуха | At P1 = 8 bar, P2 = 6 bar and pressure drop $\Delta p = 1$ bar |
| Прочие данные | User manual on request |



Изделие

| Наименование | Резьба | Диапазон регулирования | Расход (L/min) | A (mm) | B (mm) | C (mm) | D (mm) | Типоразмер |
|----------------|--------|------------------------|----------------|--------|----------|--------|--------|------------|
| K- 07 25 14 22 | G 1/4 | 1.5 - 9 bar | 1100 | 179,0 | 187,0 mm | 44,0 | 143,0 | 300 |
| K- 07 25 14 24 | G 3/8 | 1.5 - 9 bar | 1400 | 179,0 | 187,0 mm | 44,0 | 143,0 | 300 |
| K- 07 25 14 26 | G 1/2 | 1.5 - 9 bar | 1400 | 179,0 | 187,0 mm | 44,0 | 143,0 | 300 |
| K- 07 25 14 28 | G 3/8 | 1.5 - 9 bar | 2950 | 236,0 | 214,5 mm | 48,0 | 166,5 | 400 |
| K- 07 25 14 30 | G 1/2 | 1.5 - 9 bar | 2950 | 236,0 | 214,5 mm | 48,0 | 166,5 | 400 |

Принадлежности

| | |
|-------------------------------------|---|
| K-VERSCHLEI-SATZ | Set of wearing parts |
| K-ERSATZMEMBRANE | Replacement diaphragm |
| K-ADAPTERPLATTEN HANSA | Adapter plate HANSA |
| K-SCHUTZKORB G | Protective cage |
| K-FILTERELEMENT | Filter element |
| K-ERSATZBEHAELTER G UND G-MINI POLY | Spare tanks »G« Series and »G-mini« Series Polycarbonat |
| K-VERBINDUNGSELEMENTE | Connecting sets |
| K-WANDHALTER | Wall bracket |