

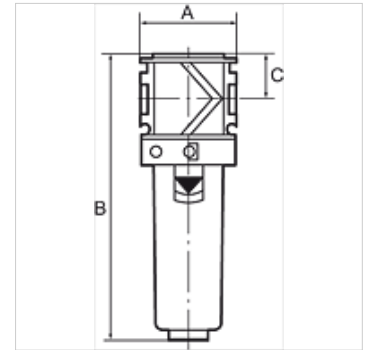
K-FI AK KOH PC-BEHAEL SI VARIOBLOC

Activated carbon filters with polycarbonate bowl and bowl guard

HANSA FLEX

Свойства

Входное давление	Max. 16 bar (polycarbonate bowl), Max. 20 bar (metal bowl)
Температура среды	max. 50 °C
Температура окружающей среды	Max. 50 °C (polycarbonate bowl), Max. 80 °C (metal bowl)
Качество воздуха ISO 85731	Class 1 dirt, class 1 oil
Остаточное содержание	0,003 mg/m ³
Измерение расхода воздуха	At P1 = 7 bar and pressure drop $\Delta p = 0,1$ bar



Указание

Activated carbon filters are also supplied with protective cage or metal container.

Прочие данные только по запросу.

Описание

The activated carbon filter absorbs oil vapour from the compressed air. The entering compressed air needs to be dry and free of contaminants (an upstream microfilter is strongly recommended).

Изделие

Наименование	Резьба	Расход (L/min)	A (mm)	B	C (mm)
K- 07 25 23 12	G 1/4	800	48,0	142,0 mm	22,0
K- 07 25 23 13	G 3/8	1000	48,0	142,0 mm	22,0
K- 07 25 23 14	G 1/2	1200	70,0	193,0 mm	26,0
K- 07 25 23 15	G 3/4	1300	70,0	193,0 mm	26,0
K- 07 25 23 16	G 1	1300	124,0	193,0 mm	26,0