

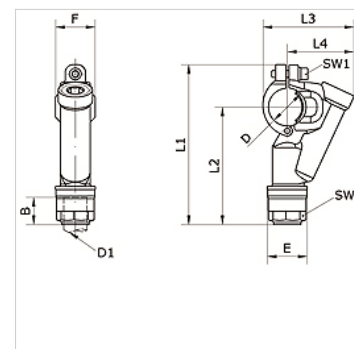
K-SCHNELLFLAN 20-63 INFI

Quick assembly \varnothing 20 mm – \varnothing 63 mm

HANSA FLEX

Свойства

| | |
|------------------|---|
| Расположение | horizontally, vertically |
| Принцип действия | Installation of a new connector without opening the pipe system |
| Материал | Никелированная латунь |



Изделие

| Наименование | Наружный \varnothing трубы | B (mm) | D (mm) | D1 (mm) | E (mm) | F (mm) | L1 (mm) | L2 (mm) | L3 (mm) | L4 (mm) | SW (mm) | SW1 (mm) |
|----------------|------------------------------|-----------|-----------|------------|-----------|-----------|------------|------------|------------|------------|------------|-------------|
| K- 07 40 54 44 | 32 - 20 mm | 31,5 | 32 | 20,0 | 34,5 | 34,0 | 136,5 | 100,5 | 78,0 | 57,0 | 30 | 5 |
| K- 07 40 54 45 | 32 - 25 mm | 38,5 | 32 | 25,0 | 42,5 | 34,0 | 144,5 | 108,5 | 78,0 | 57,0 | 35 | 5 |
| K- 07 40 54 46 | 40 - 20 mm | 31,5 | 40 | 20,0 | 34,5 | 34,0 | 148,5 | 108,0 | 89,5 | 64,0 | 30 | 5 |
| K- 07 40 54 47 | 40 - 25 mm | 38,5 | 40 | 25,0 | 42,5 | 34,0 | 156,5 | 116,0 | 89,5 | 64,0 | 35 | 5 |
| K- 07 40 54 48 | 50 - 20 mm | 31,5 | 50 | 20,0 | 34,5 | 42,5 | 167,5 | 118,5 | 105,5 | 74,0 | 30 | 6 |
| K- 07 40 54 49 | 50 - 25 mm | 38,5 | 50 | 25,0 | 42,5 | 42,5 | 175,5 | 126,5 | 105,5 | 74,0 | 35 | 6 |
| K- 07 40 54 50 | 63 - 20 mm | 31,5 | 63 | 20,0 | 34,5 | 42,5 | 185,0 | 130,0 | 119,0 | 81,0 | 30 | 6 |
| K- 07 40 54 51 | 63 - 25 mm | 38,5 | 63 | 25,0 | 42,5 | 42,5 | 193,0 | 138,0 | 119,0 | 81,0 | 35 | 6 |