

# K-BEFESTIGUNGSELEMENTE PF3W

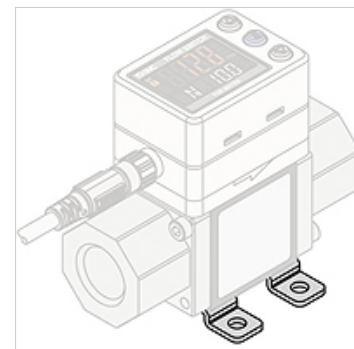
mounting element PF3W

**HANSA FLEX**

## Свойства

Серия PF3W

Прочие данные Accessories for Digital Flow Switch PF3W



## Описание

Mount, for PF3W704/720, including 4 self-tapping screws (3 x 8)

## Изделие

Наименование	Исполнение	Определение
K- 07 60 00 26	including 4-tapping screws (3 x 8)	Mounting element for PF3W704/720
K- 07 60 00 27	including 4-tapping screws (3 x 8)	Mounting element for PF3W740
K- 07 60 00 28	including 4-tapping screws (4 x 10)	Mounting element for PF3W711