

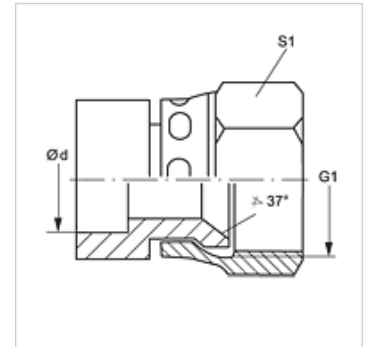
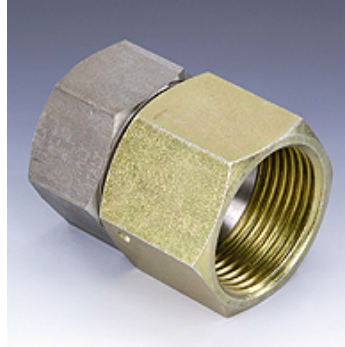
LOET AJ

Spájkovaná prípojka, AJ

HANSA FLEX

Vlastnosti

| | |
|-------------------|------------------------|
| Prípojka 1 | Prípojka k spájkovaniu |
| Prípojka 2 | Vonkajší závit UN/UNF |
| Tvar tesnenia 2 | Vonkajší kužeľ 74° |
| Konštrukcia | Hrdlo k spájkovaniu |
| Vyhotovenie | priame |
| Materiál | Oceľ |
| Povrchová ochrana | olejom |



Výrobok

| Označenie | Ø d (mm) | G1 | L1 (mm) | SW (mm) |
|---------------|----------|----------------|---------|---------|
| LOET 04 AJ 06 | 6 | 7/16" -20 UNF | 30,5 | 17 |
| LOET 05 AJ 10 | 10 | 1/2" -20 UNF | 32,0 | 19 |
| LOET 06 AJ 10 | 10 | 9/16" -18 UNF | 33,5 | 21 |
| LOET 06 AJ 12 | 12 | 9/16" -18 UNF | 33,5 | 21 |
| LOET 08 AJ 12 | 12 | 3/4" -16 UNF | 35,0 | 26 |
| LOET 08 AJ 16 | 16 | 3/4" -16 UNF | 35,0 | 26 |
| LOET 08 AJ 18 | 18 | 3/4" -16 UNF | 35,0 | 26 |
| LOET 10 AJ 16 | 16 | 7/8" -14 UNF | 38,0 | 30 |
| LOET 10 AJ 18 | 18 | 7/8" -14 UNF | 38,0 | 30 |
| LOET 10 AJ 22 | 22 | 7/8" -14 UNF | 44,0 | 30 |
| LOET 12 AJ 18 | 18 | 1.1/16" -12 UN | 45,5 | 37 |
| LOET 12 AJ 20 | 20 | 1.1/16" -12 UN | 45,5 | 37 |
| LOET 12 AJ 25 | 25 | 1.1/16" -12 UN | 45,5 | 37 |
| LOET 16 AJ 25 | 25 | 1,5/16" -12 UN | 50,0 | 45 |
| LOET 16 AJ 27 | 27 | 1,5/16" -12 UN | 50,0 | 45 |
| LOET 16 AJ 32 | 32 | 1,5/16" -12 UN | 50,0 | 45 |
| LOET 20 AJ 32 | 32 | 1,5/8" -12 UN | 53,5 | 55 |
| LOET 20 AJ 38 | 38 | 1,5/8" -12 UN | 53,5 | 55 |
| LOET 24 AJ 38 | 38 | 1,7/8" -12 UN | 60,0 | 62 |

Ø d = Vonkajší priemer rúrky