

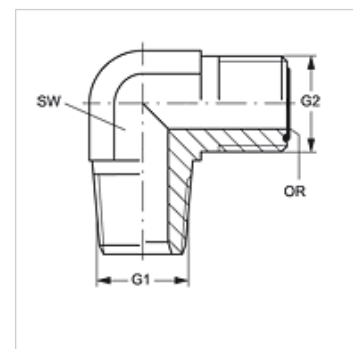
W90 HN HJOF

Hrdlo k nasrutkovaniu, uhol 90°

HANSA FLEX

Vlastnosti

| | |
|-------------------|--------------------------------|
| Prípojka 1 | Vonkajší závit NPT |
| Tvar tesnenia 1 | tesniaci závit |
| Prípojka 2 | Vonkajší závit ORFS |
| Tvar tesnenia 2 | s plochým tesnením s O-kružkom |
| Konštrukcia | Hrdlo k zaskrutkovaniu |
| Vyhotovenie | Uhol 90° |
| Materiál | Oceľ |
| Povrchová ochrana | galvanický povlak |



Výrobok

| Označenie | G1 | G2 | SW (mm) | OR |
|-------------------|------------------|-----------------|------------|--------------|
| W90 HN 02 HJOF 04 | 1/8" -27 NPT | 9/16" -18 UNF | 14 | 7,65 x 1,78 |
| W90 HN 04 HJOF | 1/4" -18 NPT | 9/16" -18 UNF | 14 | 7,65 x 1,78 |
| W90 HN 04 HJOF 06 | 1/4" -18 NPT | 11/16" -16 UN | 19 | 9,25 x 1,78 |
| W90 HN 06 HJOF | 3/8" -18 NPT | 11/16" -16 UN | 19 | 9,25 x 1,78 |
| W90 HN 06 HJOF 08 | 3/8" -18 NPT | 13/16" -16 UN | 19 | 12,42 x 1,78 |
| W90 HN 08 HJOF 06 | 1/2" -14 NPT | 11/16" -16 UN | 22 | 9,25 x 1,78 |
| W90 HN 08 HJOF | 1/2" -14 NPT | 13/16" -16 UN | 22 | 12,42 x 1,78 |
| W90 HN 08 HJOF 10 | 1/2" -14 NPT | 1" -14 UNS | 27 | 15,60 x 1,78 |
| W90 HN 08 HJOF 12 | 1/2" -14 NPT | 1,3/16" -12 UN | 30 | 18,77 x 1,78 |
| W90 HN 12 HJOF 08 | 3/4" -14 NPT | 13/16" -16 UN | 30 | 12,42 x 1,78 |
| W90 HN 12 HJOF 10 | 3/4" -14 NPT | 1" -14 UNS | 30 | 15,60 x 1,78 |
| W90 HN 12 HJOF | 3/4" -14 NPT | 1,3/16" -12 UN | 30 | 18,77 x 1,78 |
| W90 HN 12 HJOF 16 | 3/4" -14 NPT | 1,7/16" -12 UN | 37 | 23,52 x 1,78 |
| W90 HN 16 HJOF 12 | 1" -11,5 NPT | 1,3/16" -12 UN | 33 | 18,77 x 1,78 |
| W90 HN 16 HJOF | 1" -11,5 NPT | 1,7/16" -12 UN | 37 | 23,52 x 1,78 |
| W90 HN 20 HJOF | 1,1/4" -11,5 NPT | 1,11/16" -12 UN | 41 | 29,87 x 1,78 |
| W90 HN 24 HJOF | 1,1/2" -11,5 NPT | 2" -12 UN | 48 | 37,82 x 1,78 |

SW = Šírka kľúča

Varianty produktu

W90 HN HJOF VA Hrdlo k nasrutkovaniu, uhol 90°, Ušľachtilá oceľ