

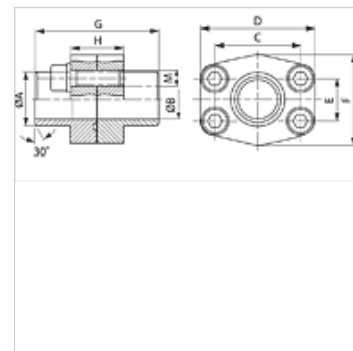
DFS ST U (3000 / 6000 PSI)

Privarovacia prírubová prípojka SAE, palcová

HANSA FLEX

Vlastnosti

| | |
|--------------------------|-------------------------------------|
| Norma | SAE J 518 C ISO 6162 |
| Vyhotovenie | priame |
| Konštrukcia | Privarovacia prírubová prípojka SAE |
| Upevnenie | so súpravou skrutiek UNC |
| Rozsah dodávky | so súpravou skrutiek a O-krúžkom |
| Materiál | S355J2G3 (ST52.3) |
| Povrchová ochrana | čierno olejovaná |



Poznámka

Uvedený maximálny prevádzkový tlak sa vzťahuje na prírubu! Skutočný prevádzkový tlak je daný rúrkou (hrúbka steny) a rovnako akosťou rúrky!

Výrobok

| Označenie | Rad tlakov | PB 10.9 (bar) | Veľkosť | A: (mm) | Ø B (mm) | C (mm) | D: (mm) | E (mm) | F (mm) | G (mm) | V (mm) | M unc |
|-------------------------|------------|---------------|---------|---------|----------|--------|---------|--------|--------|--------|--------|----------------|
| DFS 80 ST U | 3000 PSI | 350 | 1/2" | 21,5 | 13 | 38,1 | 54 | 17,5 | 46 | 72 | 32 | 5/16" x 1.1/4" |
| DFS 80 ST U 038 | 3000 PSI | 350 | 1/2" | 17,5 | 13 | 38,1 | 54 | 17,5 | 46 | 72 | 32 | 5/16" x 1.1/4" |
| DFS 100 ST U | 3000 PSI | 350 | 3/4" | 28,0 | 19 | 47,6 | 65 | 22,2 | 50 | 72 | 36 | 3/8" x 1.1/2" |
| DFS 102 ST U | 3000 PSI | 315 | 1" | 34,0 | 25 | 52,4 | 70 | 26,2 | 55 | 76 | 36 | 3/8" x 1.1/2" |
| DFS 104 ST U | 3000 PSI | 250 | 1.1/4" | 42,8 | 32 | 58,7 | 79 | 30,2 | 68 | 82 | 42 | 7/16" x 1.1/2" |
| DFS 106 ST U | 3000 PSI | 200 | 1.1/2" | 48,6 | 38 | 69,9 | 93 | 35,7 | 78 | 88 | 50 | 1/2" x 1.3/4" |
| DFS 108 ST U | 3000 PSI | 200 | 2" | 61,0 | 51 | 77,8 | 102 | 42,9 | 90 | 90 | 50 | 1/2" x 1.3/4" |
| DFS 110 ST U | 3000 PSI | 160 | 2.1/2" | 77,0 | 63 | 88,9 | 114 | 50,8 | 105 | 100 | 50 | 1/2" x 1.3/4" |
| DFS 112 ST U | 3000 PSI | 138 | 3" | 92,0 | 73 | 106,4 | 134 | 61,9 | 124 | 100 | 54 | 5/8" x 2" |
| DFS 114 ST U | 3000 PSI | 35 | 3.1/2" | 103,0 | 89 | 120,7 | 152 | 69,9 | 136 | 96 | 54 | 5/8" x 2" |
| DFS 116 ST U | 3000 PSI | 35 | 4" | 115,5 | 99 | 130,2 | 162 | 77,8 | 146 | 96 | 54 | 5/8" x 2" |
| DFS 401 ST U | 6000 PSI | 400 | 1/2" | 21,5 | 13 | 40,5 | 54 | 18,2 | 46 | 72 | 32 | 5/16" x 1.1/4" |
| DFS 401 ST U 038 | 6000 PSI | 400 | 1/2" | 17,5 | 13 | 40,5 | 54 | 18,2 | 46 | 72 | 32 | 5/16" x 1.1/4" |
| DFS 402 ST U | 6000 PSI | 400 | 3/4" | 28,0 | 19 | 50,8 | 71 | 23,8 | 55 | 70 | 42 | 3/8" x 1.1/2" |
| DFS 403 ST U | 6000 PSI | 400 | 1" | 34,0 | 25 | 57,2 | 79 | 27,8 | 68 | 82 | 42 | 7/16" x 1.3/4" |
| DFS 404 ST U | 6000 PSI | 375 | 1.1/4" | 42,8 | 32 | 66,7 | 95 | 31,8 | 78 | 88 | 48 | 1/2" x 1.3/4" |
| DFS 405 ST U | 6000 PSI | 250 | 1.1/2" | 48,6 | 38 | 79,4 | 114 | 36,5 | 94 | 110 | 60 | 5/8" x 2" |
| DFS 406 ST U | 6000 PSI | 250 | 2" | 61,0 | 51 | 96,8 | 134 | 44,5 | 114 | 130 | 74 | 3/4" x 2.1/2" |

PN = Menovitý tlak PB = Max. prevádzkový tlak

Varianty produktu

DFS ST M (3000 / 6000 PSI) Privarovacia prírubová prípojka SAE, palcová, so súpravou skrutiek a O-krúžkom