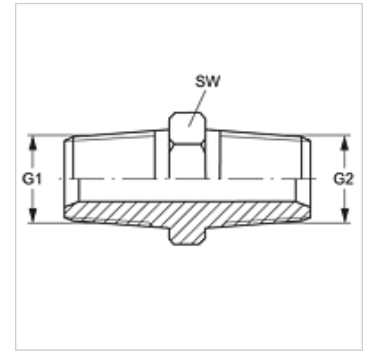


Vlastnosti

Prípojka 1	Vonkajší závit NPT
Tvar tesnenia 1	tesniaci závit
Prípojka 2	Vonkajší závit NPT
Tvar tesnenia 2	tesniaci závit
Konštrukcia	Spojovacia vsuvka
Vyhotovenie	priame
Materiál	Oceľ
Povrchová ochrana	galvanický povlak



Výrobok

Označenie	G1	G2	SW (mm)
G HN 02	1/8" -27 NPT	1/8" -27 NPT	11
G 04 HN 02	1/4" -18 NPT	1/8" -27 NPT	14
G HN 04	1/4" -18 NPT	1/4" -18 NPT	14
G 06 HN 02	3/8" -18 NPT	1/8" -27 NPT	19
G 06 HN 04	3/8" -18 NPT	1/4" -18 NPT	19
G HN 06	3/8" -18 NPT	3/8" -18 NPT	19
G 08 HN 04	1/2" -14 NPT	1/4" -18 NPT	22
G 08 HN 06	1/2" -14 NPT	3/8" -18 NPT	22
G HN 08	1/2" -14 NPT	1/2" -14 NPT	22
G 12 HN 04	3/4" -14 NPT	1/4" -18 NPT	27
G 12 HN 06	3/4" -14 NPT	3/8" -18 NPT	27
G 12 HN 08	3/4" -14 NPT	1/2" -14 NPT	27
G HN 12	3/4" -14 NPT	3/4" -14 NPT	27
G 12 HN 16	3/4" -14 NPT	1" -11,5 NPT	36
G 16 HN 08	1" -11,5 NPT	1/2" -14 NPT	36
G HN 16	1" -11,5 NPT	1" -11,5 NPT	36
G 20 HN 16	1,1/4" -11,5 NPT	1" -11,5 NPT	46
G HN 20	1,1/4" -11,5 NPT	1,1/4" -11,5 NPT	46
G 24 HN 08	1,1/2" -11,5 NPT	1/2" -14 NPT	50
G 24 HN 16	1,1/2" -11,5 NPT	1" -11,5 NPT	50
G 24 HN 20	1,1/2" -11,5 NPT	1,1/4" -11,5 NPT	50
G HN 24	1,1/2" -11,5 NPT	1,1/2" -11,5 NPT	50
G 32 HN 24	2" -11,5 NPT	1,1/2" -11,5 NPT	65
G HN 32	2" -11,5 NPT	2" -11,5 NPT	65
G HN 40	2,1/2" -8 NPT	2,1/2" -8 NPT	70

SW = Šírka kľúča

Varianty produktu

G HN VA	Pripojovacie hrdlo, Ušľachtilá oceľ
----------------	-------------------------------------