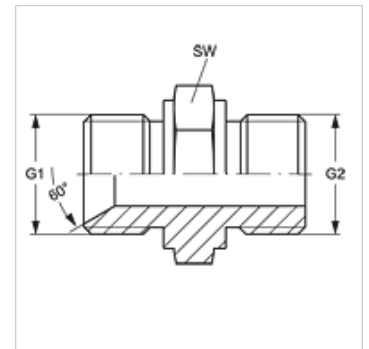


Vlastnosti

| | |
|-------------------|-----------------------------|
| Prípojka 1 | Vonkajší závit BSP, valcový |
| Tvar tesnenia 1 | Vnútorý kužeľ 60° |
| Prípojka 2 | Vonkajší závit BSP, valcový |
| Tvar tesnenia 2 | s plochým tesnením |
| Konštrukcia | Hrdlo k zaskrutkovaniu |
| Vyhotovenie | priame |
| Materiál | Oceľ |
| Povrchová ochrana | galvanický povlak |



Výrobok

| Označenie | G1 | G2 | SW (mm) |
|----------------|--------------|--------------|------------|
| GE HB 04 HR 02 | G 1/4" -19 | G 1/8" -28 | 14 |
| GE HB 04 HR | G 1/4" -19 | G 1/4" -19 | 19 |
| GE HB 04 HR 06 | G 1/4" -19 | G 3/8" -19 | 22 |
| GE HB 06 HR 04 | G 3/8" -19 | G 1/4" -19 | 19 |
| GE HB 06 HR | G 3/8" -19 | G 3/8" -19 | 22 |
| GE HB 08 HR 06 | G 1/2" -14 | G 3/8" -19 | 22 |
| GE HB 08 HR | G 1/2" -14 | G 1/2" -14 | 27 |
| GE HB 08 HR 12 | G 1/2" -14 | G 3/4" -14 | 27 |
| GE HB 10 HR 08 | G 5/8" -14 | G 1/2" -14 | 27 |
| GE HB 10 HR | G 5/8" -14 | G 5/8" -14 | 30 |
| GE HB 10 HR 12 | G 5/8" -14 | G 3/4" -14 | 32 |
| GE HB 12 HR 08 | G 3/4" -14 | G 1/2" -14 | 27 |
| GE HB 12 HR 10 | G 3/4" -14 | G 5/8" -14 | 30 |
| GE HB 12 HR | G 3/4" -14 | G 3/4" -14 | 32 |
| GE HB 16 HR 12 | G 1" -11 | G 3/4" -14 | 36 |
| GE HB 16 HR | G 1" -11 | G 1" -11 | 41 |
| GE HB 20 HR 16 | G 1,1/4" -11 | G 1" -11 | 46 |
| GE HB 20 HR | G 1,1/4" -11 | G 1,1/4" -11 | 50 |
| GE HB 24 HR 20 | G 1,1/2" -11 | G 1,1/4" -11 | 50 |
| GE HB 24 HR | G 1,1/2" -11 | G 1,1/2" -11 | 55 |

SW = Šírka kľúča