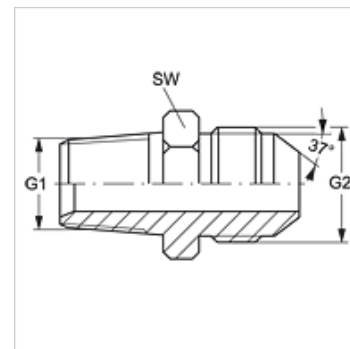


Vlastnosti

Prípojka 1	Vonkajší závit NPT
Tvar tesnenia 1	tesniaci závit
Prípojka 2	Vonkajší závit UN/UNF
Tvar tesnenia 2	Vonkajší kužeľ 74°
Konštrukcia	Hrdlo k zasrútkovaniu
Vyhotovenie	priame
Materiál	Oceľ
Povrchová ochrana	galvanický povlak



Výrobok

Označenie	G1	G2	SW (mm)
GE HN 02 HJ 03	1/8" -27 NPT	3/8" -24 UNF	12
GE HN 02 HJ 04	1/8" -27 NPT	7/16" -20 UNF	12
GE HN 02 HJ 05	1/8" -27 NPT	1/2" -20 UNF	14
GE HN 02 HJ 06	1/8" -27 NPT	9/16" -18 UNF	17
GE HN 02 HJ 08	1/8" -27 NPT	3/4" -16 UNF	19
GE HN 04 HJ	1/4" -18 NPT	7/16" -20 UNF	14
GE HN 04 HJ 05	1/4" -18 NPT	1/2" -20 UNF	14
GE HN 04 HJ 06	1/4" -18 NPT	9/16" -18 UNF	17
GE HN 04 HJ 08	1/4" -18 NPT	3/4" -16 UNF	19
GE HN 06 HJ	3/8" -18 NPT	9/16" -18 UNF	19
GE HN 06 HJ 04	3/8" -18 NPT	7/16" -20 UNF	19
GE HN 06 HJ 05	3/8" -18 NPT	1/2" -20 UNF	19
GE HN 06 HJ 08	3/8" -18 NPT	3/4" -16 UNF	19
GE HN 06 HJ 10	3/8" -18 NPT	7/8" -14 UNF	24
GE HN 06 HJ 12	3/8" -18 NPT	1.1/16" -12 UN	27
GE HN 08 HJ 04	1/2" -14 NPT	7/16" -20 UNF	24
GE HN 08 HJ 05	1/2" -14 NPT	1/2" -20 UNF	24
GE HN 08 HJ 06	1/2" -14 NPT	9/16" -18 UNF	24
GE HN 08 HJ	1/2" -14 NPT	3/4" -16 UNF	24
GE HN 08 HJ 10	1/2" -14 NPT	7/8" -14 UNF	24
GE HN 08 HJ 12	1/2" -14 NPT	1.1/16" -12 UN	27
GE HN 08 HJ 16	1/2" -14 NPT	1.5/16" -12 UN	36
GE HN 12 HJ 04	3/4" -14 NPT	7/16" -20 UNF	27
GE HN 12 HJ 06	3/4" -14 NPT	9/16" -18 UNF	27
GE HN 12 HJ 08	3/4" -14 NPT	3/4" -16 UNF	27
GE HN 12 HJ 10	3/4" -14 NPT	7/8" -14 UNF	27
GE HN 12 HJ	3/4" -14 NPT	1.1/16" -12 UN	27
GE HN 12 HJ 14	3/4" -14 NPT	1.3/16" -12 UN	32
GE HN 12 HJ 16	3/4" -14 NPT	1.5/16" -12 UN	36
GE HN 16 HJ	1" -11,5 NPT	1.5/16" -12 UN	36
GE HN 16 HJ 12	1" -11,5 NPT	1.1/16" -12 UN	36
GE HN 16 HJ 20	1" -11,5 NPT	1.5/8" -12 UN	46
GE HN 16 HJ 24	1" -11,5 NPT	1.7/8" -12 UN	50
GE HN 20 HJ 12	1.1/4" -11,5 NPT	1.1/16" -12 UN	46
GE HN 20 HJ 16	1.1/4" -11,5 NPT	1.5/16" -12 UN	46
GE HN 20 HJ	1.1/4" -11,5 NPT	1.5/8" -12 UN	46
GE HN 20 HJ 24	1.1/4" -11,5 NPT	1.7/8" -12 UN	50
GE HN 20 HJ 32	1.1/4" -11,5 NPT	2.1/2" -12 UN	65
GE HN 24 HJ 12	1.1/2" -11,5 NPT	1.1/16" -12 UN	50
GE HN 24 HJ 16	1.1/2" -11,5 NPT	1.5/16" -12 UN	50
GE HN 24 HJ 20	1.1/2" -11,5 NPT	1.5/8" -12 UN	50
GE HN 24 HJ	1.1/2" -11,5 NPT	1.7/8" -12 UN	50
GE HN 24 HJ 32	1.1/2" -11,5 NPT	2.1/2" -12 UN	65
GE HN 32 HJ 24	2" -11,5 NPT	1.7/8" -12 UN	65
GE HN 32 HJ	2" -11,5 NPT	2.1/2" -12 UN	65

SW = Šírka kľúča

Varianty produktu

GE HN HJ VA Hrdlo k nasrútkovaniu, Ušľachtilá oceľ