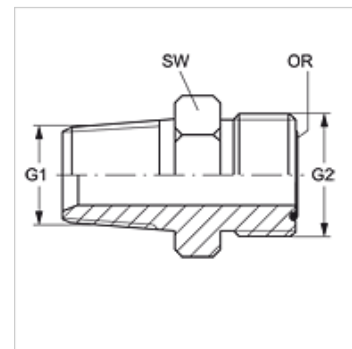


## Vlastnosti

|                   |                                |
|-------------------|--------------------------------|
| Prípojka 1        | Vonkajší závit NPT             |
| Tvar tesnenia 1   | tesniaci závit                 |
| Prípojka 2        | Vonkajší závit ORFS            |
| Tvar tesnenia 2   | s plochým tesnením s O-kružkom |
| Konštrukcia       | Hrdlo k zaskrutkovaniu         |
| Vyhotovenie       | priame                         |
| Materiál          | Oceľ                           |
| Povrchová ochrana | galvanický povlak              |



## Výrobok

| Označenie        | G1               | G2              | SW<br>(mm) | OR           |
|------------------|------------------|-----------------|------------|--------------|
| GE HN 02 HJOF 04 | 1/8" -27 NPT     | 9/16" -18 UNF   | 16         | 7,65 x 1,78  |
| GE HN 04 HJOF    | 1/4" -18 NPT     | 9/16" -18 UNF   | 16         | 7,65 x 1,78  |
| GE HN 04 HJOF 06 | 1/4" -18 NPT     | 11/16" -16 UN   | 19         | 9,25 x 1,78  |
| GE HN 06 HJOF    | 3/8" -18 NPT     | 11/16" -16 UN   | 19         | 9,25 x 1,78  |
| GE HN 06 HJOF 08 | 3/8" -18 NPT     | 13/16" -16 UN   | 22         | 12,42 x 1,78 |
| GE HN 08 HJOF 06 | 1/2" -14 NPT     | 11/16" -16 UN   | 22         | 9,25 x 1,78  |
| GE HN 08 HJOF    | 1/2" -14 NPT     | 13/16" -16 UN   | 22         | 12,42 x 1,78 |
| GE HN 08 HJOF 10 | 1/2" -14 NPT     | 1" -14 UNS      | 27         | 15,60 x 1,78 |
| GE HN 12 HJOF 08 | 3/4" -14 NPT     | 13/16" -16 UN   | 29         | 12,42 x 1,78 |
| GE HN 12 HJOF 10 | 3/4" -14 NPT     | 1" -14 UNS      | 29         | 15,60 x 1,78 |
| GE HN 12 HJOF    | 3/4" -14 NPT     | 1,3/16" -12 UN  | 32         | 18,77 x 1,78 |
| GE HN 12 HJOF 16 | 3/4" -14 NPT     | 1,7/16" -12 UN  | 38         | 23,52 x 1,78 |
| GE HN 16 HJOF 12 | 1" -11,5 NPT     | 1,3/16" -12 UN  | 35         | 18,77 x 1,78 |
| GE HN 16 HJOF    | 1" -11,5 NPT     | 1,7/16" -12 UN  | 38         | 23,52 x 1,78 |
| GE HN 20 HJOF    | 1,1/4" -11,5 NPT | 1.11/16" -12 UN | 48         | 29,87 x 1,78 |
| GE HN 24 HJOF    | 1,1/2" -11,5 NPT | 2" -12 UN       | 54         | 37,82 x 1,78 |

SW = Šírka kľúča

## Varianty produktu

GE HN HJOF VA Hrdlo k nasrnutkovaniu, Ušľachtilá oceľ