

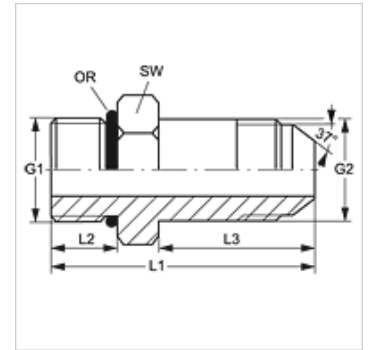
GE HRO L HJ

Hrdlo k nasrútkovaniu, dlhé

HANSA FLEX

Vlastnosti

| | |
|-------------------|-----------------------------|
| Prípojka 1 | Vonkajší závit BSP, valcový |
| Tvar tesnenia 1 | Tvar G |
| Prípojka 2 | Vonkajší závit UN/UNF |
| Tvar tesnenia 2 | Vonkajší kužeľ 74° |
| Konštrukcia | Hrdlo k nasrútkovaniu dlhé |
| Vyhotovenie | priame |
| Materiál | Oceľ |
| Povrchová ochrana | galvanický povlak |



Výrobok

| Označenie | G1 | G2 | L1 (mm) | L2 (mm) | L3 (mm) | SW (mm) | OR |
|-------------------|--------------|----------------|------------|------------|------------|------------|--------------|
| GE HRO L 02 HJ 04 | G 1/8" -28 | 7/16" -20 UNF | 50,0 | 8 | 35 | 16 | 7,65 x 1,78 |
| GE HRO L 04 HJ | G 1/4" -19 | 7/16" -20 UNF | 55,5 | 12 | 35 | 20 | 10,78 x 2,62 |
| GE HRO L 04 HJ 05 | G 1/4" -19 | 1/2" -20 UNF | 57,5 | 12 | 37 | 20 | 10,78 x 2,62 |
| GE HRO L 04 HJ 06 | G 1/4" -19 | 9/16" -18 UNF | 59,5 | 12 | 39 | 20 | 10,78 x 2,62 |
| GE HRO L 04 HJ 08 | G 1/4" -19 | 3/4" -16 UNF | 68,5 | 12 | 48 | 20 | 10,78 x 2,62 |
| GE HRO L 06 HJ | G 3/8" -19 | 9/16" -18 UNF | 59,5 | 12 | 39 | 24 | 13,94 x 2,62 |
| GE HRO L 06 HJ 05 | G 3/8" -19 | 1/2" -20 UNF | 57,5 | 12 | 37 | 24 | 13,94 x 2,62 |
| GE HRO L 06 HJ 08 | G 3/8" -19 | 3/4" -16 UNF | 68,5 | 12 | 48 | 24 | 13,94 x 2,62 |
| GE HRO L 06 HJ 10 | G 3/8" -19 | 7/8" -14 UNF | 74,0 | 12 | 53 | 24 | 13,94 x 2,62 |
| GE HRO L 08 HJ | G 1/2" -14 | 3/4" -16 UNF | 72,0 | 14 | 48 | 28 | 17,86 x 2,62 |
| GE HRO L 08 HJ 06 | G 1/2" -14 | 9/16" -18 UNF | 63,0 | 14 | 39 | 28 | 17,86 x 2,62 |
| GE HRO L 08 HJ 10 | G 1/2" -14 | 7/8" -14 UNF | 77,0 | 14 | 53 | 28 | 17,86 x 2,62 |
| GE HRO L 08 HJ 12 | G 1/2" -14 | 1.1/16" -12 UN | 88,0 | 14 | 63 | 28 | 17,86 x 2,62 |
| GE HRO L 12 HJ | G 3/4" -14 | 1.1/16" -12 UN | 91,0 | 16 | 63 | 35 | 23,47 x 2,62 |
| GE HRO L 12 HJ 10 | G 3/4" -14 | 7/8" -14 UNF | 81,0 | 16 | 53 | 35 | 23,47 x 2,62 |
| GE HRO L 12 HJ 16 | G 3/4" -14 | 1,5/16" -12 UN | 100,0 | 16 | 72 | 35 | 23,47 x 2,62 |
| GE HRO L 16 HJ | G 1" -11 | 1,5/16" -12 UN | 102,0 | 18 | 72 | 43 | 29,74 x 3,53 |
| GE HRO L 16 HJ 12 | G 1" -11 | 1.1/16" -12 UN | 93,5 | 18 | 63 | 43 | 29,74 x 3,53 |
| GE HRO L 16 HJ 20 | G 1" -11 | 1,5/8" -12 UN | 119,0 | 18 | 88 | 43 | 29,74 x 3,53 |
| GE HRO L 20 HJ | G 1,1/4" -11 | 1,5/8" -12 UN | 119,0 | 18 | 88 | 52 | 37,69 x 3,53 |
| GE HRO L 20 HJ 16 | G 1,1/4" -11 | 1,5/16" -12 UN | 106,0 | 20 | 72 | 52 | 37,69 x 3,53 |
| GE HRO L 20 HJ 24 | G 1,1/4" -11 | 1,7/8" -12 UN | 132,0 | 20 | 98 | 52 | 37,69 x 3,53 |
| GE HRO L 24 HJ | G 1,1/2" -11 | 1,7/8" -12 UN | 136,0 | 22 | 98 | 58 | 44,04 x 3,53 |

SW = Šírka kľúča