

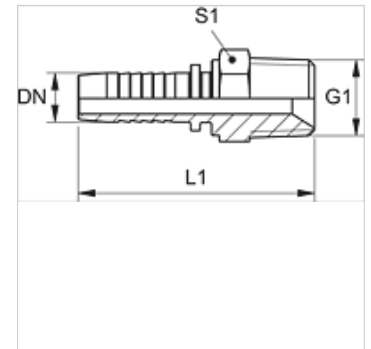
PN HN

Vsuvka k nalisovaniu, AGN

HANSA FLEX

Vlastnosti

| | |
|-------------------|--|
| Oblasť použitia | Vsuvka k nalisovaniu pre hadice HD 100 až HD 400, KP, TE |
| Prípojka 1 | Vonkajší závit NPT |
| Tvar tesnenia 1 | Tesniaci závit, prídavný vnútorný kužeľ 60°. |
| Skratka | AGN |
| Materiál | Oceľ |
| Povrchová ochrana | galvanický povlak |



Poznámka

Príslušnú objímku vyberte podľa typu hadice.

Výrobok

| Označenie | DN | Rozmer | Clo | Prevádzkový tlak (bar) | G1 | L1 (mm) | S1 |
|-------------|----|--------|--------|------------------------|------------------|---------|----|
| PN 04 HN | 5 | 3 | 3/16" | 350,0 | 1/8" -27 NPT | 44,0 | 12 |
| PN 04 HN 06 | 5 | 3 | 3/16" | 350,0 | 1/4" -18 NPT | 47,5 | 14 |
| PN 06 HN 02 | 6 | 4 | 1/4" | 350,0 | 1/8" -27 NPT | 50,0 | 12 |
| PN 06 HN | 6 | 4 | 1/4" | 350,0 | 1/4" -18 NPT | 53,5 | 14 |
| PN 06 HN 10 | 6 | 4 | 1/4" | 275,0 | 3/8" -18 NPT | 54,0 | 19 |
| PN 08 HN 06 | 8 | 5 | 5/16" | 350,0 | 1/4" -18 NPT | 53,5 | 14 |
| PN 08 HN 10 | 8 | 5 | 5/16" | 275,0 | 3/8" -18 NPT | 54,0 | 19 |
| PN 10 HN 06 | 10 | 6 | 3/8" | 275,0 | 1/4" -18 NPT | 55,0 | 16 |
| PN 10 HN | 10 | 6 | 3/8" | 275,0 | 3/8" -18 NPT | 56,5 | 19 |
| PN 10 HN 13 | 10 | 6 | 3/8" | 240,0 | 1/2" -14 NPT | 61,0 | 22 |
| PN 13 HN 10 | 12 | 8 | 1/2" | 240,0 | 3/8" -18 NPT | 57,5 | 19 |
| PN 13 HN | 12 | 8 | 1/2" | 240,0 | 1/2" -14 NPT | 62,0 | 22 |
| PN 13 HN 20 | 12 | 8 | 1/2" | 210,0 | 3/4" -14 NPT | 64,5 | 27 |
| PN 16 HN 13 | 16 | 10 | 5/8" | 210,0 | 1/2" -14 NPT | 68,0 | 24 |
| PN 16 HN 20 | 16 | 10 | 5/8" | 210,0 | 3/4" -14 NPT | 68,0 | 27 |
| PN 20 HN 13 | 19 | 12 | 3/4" | 210,0 | 1/2" -14 NPT | 74,5 | 27 |
| PN 20 HN | 19 | 12 | 3/4" | 210,0 | 3/4" -14 NPT | 76,5 | 27 |
| PN 20 HN 25 | 19 | 12 | 3/4" | 170,0 | 1" -11,5 NPT | 80,5 | 36 |
| PN 25 HN 20 | 25 | 16 | 1" | 170,0 | 3/4" -14 NPT | 84,5 | 36 |
| PN 25 HN | 25 | 16 | 1" | 170,0 | 1" -11,5 NPT | 88,5 | 36 |
| PN 25 HN 32 | 25 | 16 | 1" | 150,0 | 1,1/4" -11,5 NPT | 91,5 | 46 |
| PN 32 HN | 31 | 20 | 1.1/4" | 150,0 | 1,1/4" -11,5 NPT | 101,0 | 46 |
| PN 40 HN | 38 | 24 | 1.1/2" | 140,0 | 1,1/2" -11,5 NPT | 105,5 | 50 |
| PN 50 HN | 51 | 32 | 2" | 140,0 | 2" -11,5 NPT | 127,5 | 65 |

Varianty produktu

PN HN VA Vsuvka k nalisovaniu, AGN, Ušľachtilá oceľ