

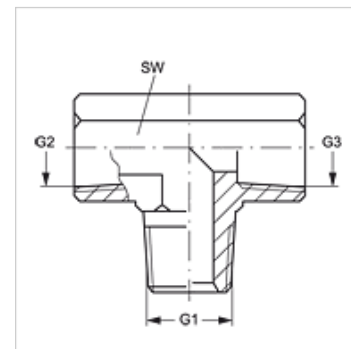
T HN IN

Hrdlo k naskrutkovaniu, tvar T

HANSA FLEX

Vlastnosti

| | |
|---------------------|------------------------|
| Prípojka 1 | Vonkajší závit NPT |
| Tvar tesnenia 1 | tesniaci závit |
| Prípojka 2 + 3 | Vnútorný závit NPT |
| Tvar tesnenia 2 + 3 | tesniaci závit |
| Konštrukcia | Hrdlo k zaskrutkovaniu |
| Vyhotovenie | Tvar T |
| Materiál | Oceľ |
| Povrchová ochrana | galvanický povlak |



Výrobok

| Označenie | G1 | G2 + G3 | SW (mm) |
|------------|------------------|------------------|------------|
| T HN 02 IN | 1/8" -27 NPT | 1/8" -27 NPT | 14 |
| T HN 04 IN | 1/4" -18 NPT | 1/4" -18 NPT | 19 |
| T HN 06 IN | 3/8" -18 NPT | 3/8" -18 NPT | 22 |
| T HN 08 IN | 1/2" -14 NPT | 1/2" -14 NPT | 27 |
| T HN 12 IN | 3/4" -14 NPT | 3/4" -14 NPT | 33 |
| T HN 16 IN | 1" -11,5 NPT | 1" -11,5 NPT | 41 |
| T HN 20 IN | 1,1/4" -11,5 NPT | 1,1/4" -11,5 NPT | 48 |

SW = Šírka kľúča