

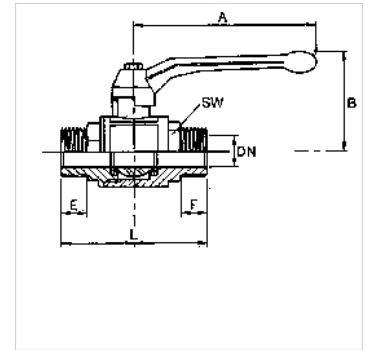
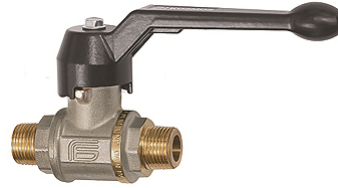
# K-BKR HANDHEBEL AG AG

Ball valves with hand lever, male/male thread

**HANSA FLEX**

## Vlastnosti

<b>Oblasť použitia</b>	Compressed air, water, non-toxic and neutral gases, heating oil (EL),(S), lubricants, dieseloil, water beased coatings
<b>Prevádzková teplota</b>	-20 °C to +130 °C
<b>Popis závitů</b>	G thread acc. to DIN EN ISO 228-1, R thread acc. to DIN EN 10226 (ISO 7-1)
<b>Kryt</b>	Nickel-plated brass
<b>páka</b>	Alu, painted black
<b>guľa</b>	hardchrome-plated brass
<b>Tesnenie gule</b>	PTFE
<b>Tesnenie vretena</b>	PTFE



## Poznámka

Ďalšie údaje na vyžiadanie.

## Výrobok

Označenie	DN	Závit	PN (bar)	A: (mm)	B (mm)	E (mm)	F (mm)	D (mm)	SW (mm)
K- 07 30 00 09	8	R 1/4	100	75,0	51,5	10,9	10,9	54,5	18
K- 07 30 00 10	10	R 3/8	100	100,0	61,0	11,2	11,2	66,0	22
K- 07 30 00 11	15	R 1/2	100	100,0	64,0	14,9	14,9	82,0	27
K- 07 30 00 12	20	R 3/4	100	120,0	76,0	16,0	16,0	95,0	33
K- 07 30 00 13	25	R 1	100	120,0	80,0	19,0	19,0	107,0	40
K- 07 30 00 14	32	R 1 1/4	100	150,0	96,4	21,2	21,2	122,4	50
K- 07 30 00 15	40	R 1 1/2	100	150,0	102,9	21,2	21,2	136,0	57
K- 07 30 00 16	50	R 2	80	175,0	117,8	25,0	25,0	159,5	70