

K-SCHL-AUFROLLER LUFT H

Hose reels for compressed air, high flow capacity

HANSA FLEX

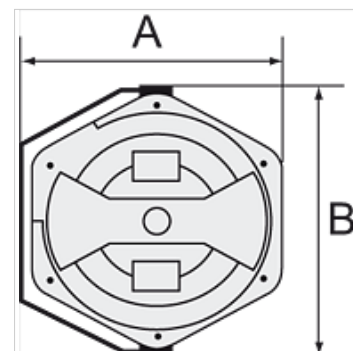
Vlastnosti

Materiál hadice Braided polyurethane

Prevádzkový tlak max. 12 bar

Prevádzková teplota -20 °C to +60 °C

Uhol natočenia 300°



Poznámka

Ďalšie údaje na vyžiadanie.

Popis

Specially designed to ensure a high flow capacity. Easy mounting on the wall or ceiling. Closed, rugged, impact-resistant housing made of POM, supply/outlet R 1/4 male thread and lightweight, hard-wearing, oil-resistant polyurethane hose. Incl. 2 m feeder hose.

Výrobok

Označenie	Rozmer hadice	A: (mm)	B (mm)	Dĺžka hadice (m)
K- 07 10 06 14	16 mm x 11 mm	394,5	436,0	10