

K-SAUGPLATTENAUFHAENGUNG

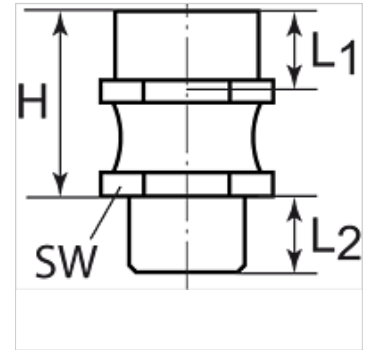
Flexible suction pad mountings

HANSA FLEX

Vlastnosti

Použitie For handling of workpieces with sloping using large-area vacuum gripper
Handling of large plates that can sag when lifting
In combination with spring plungers to compensate height-differences and Unevenness

Blok popisu very good adaptation to oblique workpiece surfaces
automatic Rückstellung in die Ausgangslage
vacuum-tight design with integrated protection against damage



Poznámka

Ďalšie údaje na vyžiadanie.

Popis

Flexible suction pad mounting. By flexing in all directions, this mounting allows the suction pad to better adapt itself to sloping workpieces.

Výrobok

Označenie	Závit 1 vnútorný	Závit 2 vonkajší V (mm)	Materiál	L1 (mm)	L2 (mm)	Uhol W (°)	Vertikálne zaťaženie (N/m ²)	Ohybový moment (N/m ²)	SW (mm)	
K- 07 45 01 47	G 1/4	M 10 x 1.25	27,0	Steel, rubber	10,5	8,0	12	500	8,0	17
K- 07 45 01 48	G 1/4	G 1/4	27,0	Steel, rubber	12,0	12,0	12	750	10,0	17