

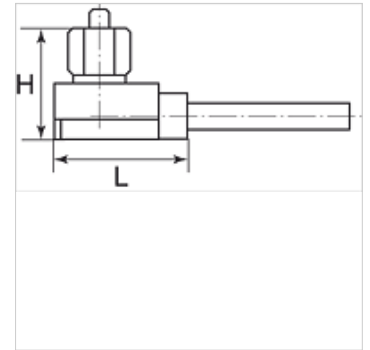
K-VAKUUMSENSOR DIGITAL

Vacuum sensor, digital

HANSA FLEX

Vlastnosti

Použitie	Measurement of vacuum values close to the suction pad Remote evaluation of the signals Processing the output signals, for example, by PLC
Médiá	dry, oil-free air and non-aggressive gases
Rozsah teplôt	0 - 50 °C
Výstupný signál	1 to 5 analogous to V
Hysterézia	Fixed: 20 mbar (model with digital sensor)
Dĺžka kábla	3 m
Krytie	IP 40



Poznámka

Ďalšie údaje na vyžiadanie.

Popis

Mini-sensor with housing and connection cable, analogue or digital output signal. Minimum size and low weight combined with high measuring accuracy.

Výrobok

Označenie	Prípojka	V (mm)	D (mm)	Rozsah merania	Napätie
K- 07 45 01 57	M 5 male	16,9	21,0	-1 bis 0 bar	10 - 24 V DC