

K-HAND-SCHIEBEVENTIL

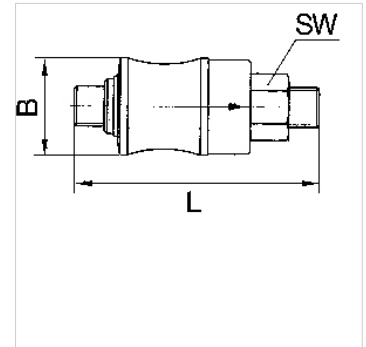
Manual slide valves

HANSA FLEX

Vlastnosti

Prevádzkový tlak max. 10 bar

Prevádzková teplota max. +70 °C



Poznámka

Ďalšie údaje na vyžiadanie.

Popis

For use on devices that have to be vented whenever they are turned off, either because of safety regulations or for technical reasons. The pneumatic devices are disconnected from the system and simultaneously vented each time they are shut off.

Výrobok

| Označenie | Závit | B (mm) | D (mm) | SW (mm) |
|----------------|-------|-----------|-----------|------------|
| K- 07 30 15 92 | G 1/8 | 21,0 | 67,0 | 14 |
| K- 07 30 15 93 | G 1/4 | 24,0 | 77,0 | 17 |
| K- 07 30 15 94 | G 3/8 | 31,0 | 87,0 | 22 |
| K- 07 30 15 95 | G 1/2 | 35,0 | 104,0 | 26 |