

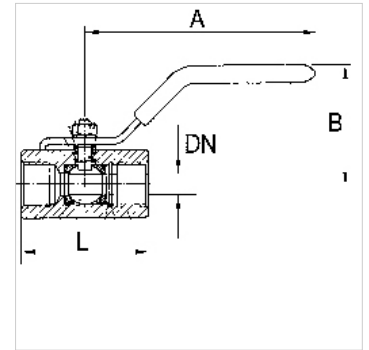
# K-BKR SERIE VALVE LINE

Stainless steel ball valves

**HANSA FLEX**

## Vlastnosti

Prevádzkový tlak	max. 70 bar, depending on temperature and nominal size
Prevádzková teplota	-15 °C to +110 °C, depending on port size and temperature
Popis závitů	G thread acc. DIN EN ISO 228-1
tesnenie	PTFE
ručná páka	Stainless steel 1.4301
Materiál	sealing: PTFE



## Poznámka

Ďalšie údaje na vyžiadanie.

## Výrobok

Označenie	DN	Závit	A: (mm)	B (mm)	D (mm)	Materiál
K- 07 30 15 24	13	1/4	99,5	47,0	47,5	Stainless steel 1.4408
K- 07 30 15 25	13	3/8	99,5	47,0	47,5	Stainless steel 1.4408
K- 07 30 15 26	15	1/2	99,5	48,0	58,0	Stainless steel 1.4408
K- 07 30 15 27	20	3/4	126,5	62,0	65,0	Stainless steel 1.4408
K- 07 30 15 28	25	1	126,5	69,0	77,0	Stainless steel 1.4408
K- 07 30 15 29	32	1 1/4	153,0	81,0	90,0	Stainless steel 1.4408
K- 07 30 15 30	38	1 1/2	153,0	87,0	98,5	Stainless steel 1.4408
K- 07 30 15 31	50	2	192,0	95,0	122,0	Stainless steel 1.4408