

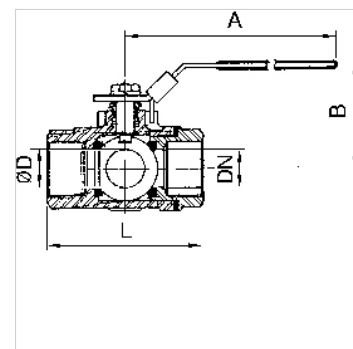
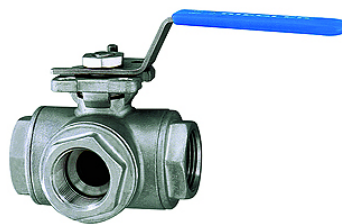
K-3 BKR L VA

3-way ball valves, L-bore

HANSA FLEX

Vlastnosti

Prevádzkový tlak	max. 63 bar
Prevádzková teplota	max. 160 °C
Otvor	Tvar L
Orientačné hodnoty	Up to 40 °C: 63 bar, 150 °C: 28 bar
tesnenie	RTFE
ručná páka	Stainless steel
guľový kohút	Stainless steel 1.4408



Poznámka

G thread acc. to DIN EN ISO 228-1, with ISO flange plate (acc. to ISO 5211)

Ďalšie údaje na vyžiadanie.

Popis

With L-bore, reduced bore. Version for sealing on all sides with integrated ISO flange plate (ISO 5211). The lever can be turned 360° to allow several switching variants.

Pokyny pre objednanie

For use on devices that have to be vented whenever they are turned off, either because of safety regulations or for technical reasons. The pneumatic devices are disconnected from the system and simultaneously vented each time they are shut off.

Dodatočné informácie

G thread acc. DIN EN ISO 228-1

Výrobok

Označenie	DN	Závit	A: (mm)	B (mm)	D (mm)	Ø D (mm)
K- 07 30 15 02	8	G 1/4	114,0	73,0	80,0	11,0
K- 07 30 15 03	10	G 3/8	114,0	73,0	80,0	11,0
K- 07 30 15 04	15	G 1/2	114,0	73,0	80,0	12,5
K- 07 30 15 05	20	G 3/4	133,0	78,0	87,0	16,0
K- 07 30 15 06	25	G 1	133,0	83,0	100,0	20,0
K- 07 30 15 07	32	G 1 1/4	187,0	92,0	123,0	25,0
K- 07 30 15 08	40	G 1 1/2	187,0	98,0	142,0	31,8
K- 07 30 15 09	50	G 2	187,0	126,0	170,0	38,1