

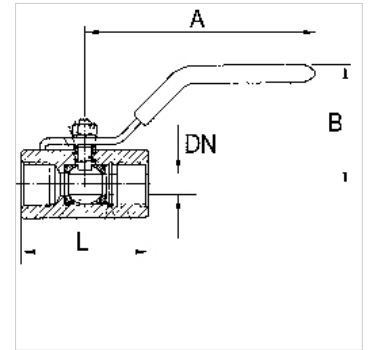
# K-BKR STANDARD ZWEITEILIG VA

Ball valves

**HANSA FLEX**

## Vlastnosti

|                            |   |
|----------------------------|---|
| <b>Prevádzkový tlak</b>    | max. 70 bar (depending on temperature and nominal size)                                   |
| <b>1.1/4" to 1.1/2"</b>    | 20 °C: 70 bar, 60 °C: 55 bar, 100 °C: 35 bar, 150 °C: 6 bar, 180 °C: 4 bar, 200 °C: 0 bar |
| <b>1/4" bis 1"</b>         | 20 °C: 70 bar, 60 °C: 65 bar, 100 °C: 45 bar, 150 °C: 7 bar, 180 °C: 4 bar, 200 °C: 0 bar |
| <b>2"</b>                  | 20 °C: 60 bar, 60 °C: 40 bar, 100 °C: 30 bar, 150 °C: 5 bar, 180 °C: 4 bar, 200 °C: 0 bar |
| <b>Prevádzková teplota</b> | 200 °C at 0 bar   |
| <b>tesnenie</b>            | 15 % RPTFE (glass fibre reinforced PTFE)  |
| <b>ručná páka</b>          | Stainless steel 1.4301  |



## Poznámka

G thread acc. to DIN EN ISO 228-1, with ISO flange plate (acc. to ISO 5211)  
Ďalšie údaje na vyžiadanie.

## Popis

Full bore

## Pokyny pre objednanie

For use on devices that have to be vented whenever they are turned off, either because of safety regulations or for technical reasons. The pneumatic devices are disconnected from the system and simultaneously vented each time they are shut off.

## Dodatočné informácie

G thread acc. DIN EN ISO 228-1

## Výrobok

| Označenie      | DN | Závit   | A:<br>(mm) | B<br>(mm) | D<br>(mm) | Materiál                      |
|----------------|----|---------|------------|-----------|-----------|-------------------------------|
| K- 07 30 00 01 | 8  | G 1/4   | 102,0      | 56,0      | 52,0      | Stainless steel 1.4401/1.4408 |
| K- 07 30 00 02 | 10 | G 3/8   | 102,0      | 56,0      | 52,0      | Stainless steel 1.4401/1.4408 |
| K- 07 30 00 03 | 15 | G 1/2   | 123,0      | 65,0      | 58,0      | Stainless steel 1.4401/1.4408 |
| K- 07 30 00 04 | 20 | G 3/4   | 123,0      | 68,0      | 67,0      | Stainless steel 1.4401/1.4408 |
| K- 07 30 00 05 | 25 | G 1     | 153,0      | 79,0      | 78,0      | Stainless steel 1.4401/1.4408 |
| K- 07 30 00 06 | 32 | G 1 1/4 | 153,0      | 84,0      | 90,0      | Stainless steel 1.4401/1.4408 |
| K- 07 30 00 07 | 40 | G 1 1/2 | 183,0      | 93,0      | 104,0     | Stainless steel 1.4401/1.4408 |
| K- 07 30 00 08 | 50 | G 2     | 183,0      | 99,0      | 127,0     | Stainless steel 1.4401/1.4408 |