

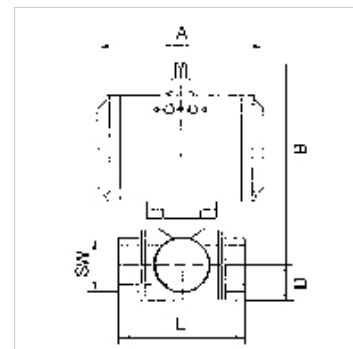
K-3 BKR L DOPPELWIRKEND

Stainless steel ball valves, 3-way, with double-acting actuator, L-bore

HANSA FLEX

Vlastnosti

Konštrukcia	Pneumatic actuators, in double- or single acting version, with integrated end-position feedback
Otvor	Tvar L
Prevádzkový tlak	max. 63 bar (depending on temperature and nominal size)
Prevádzková teplota	-20 °C to +70 °C
Uhol otočenia	90 °
Normované rozhrania	Interface actuator / valve: four or eight threaded holes in the drive housing according to EN ISO 5211, Interface actuator / S
Riadiaci tlak	5.5 bar
Adaptér ventíla	Acc. to NAMUR
pohon	aluminium eloxed
tesnenie pohonu	NBR
guľový kohút	Stainless steel 1.4401, with ISO-flange plate
Tesnenie guľového kohúta	PTFE/FKM



Poznámka

G thread acc. to DIN EN ISO 228-1, with ISO flange plate (acc. to ISO 5211)

Ďalšie údaje na vyžiadanie.

Popis

3-way cock, reduced bore

Dodatočné informácie

Other T-positions on request

Výrobok

Označenie	DN	Závit	Poloha	A: (mm)	B (mm)	D: (mm)	D (mm)	SW (mm)
K- 07 30 02 93	15	Rp 1/2	L 1	116,0	130,0	20,0	73,0	27
K- 07 30 02 94	20	Rp 3/4	L 1	116,0	136,0	23,0	80,0	32
K- 07 30 02 95	25	Rp 1	L 1	133,0	148,5	28,5	90,0	41
K- 07 30 02 96	32	Rp 1 1/4	L 1	133,0	153,5	36,5	90,0	50
K- 07 30 02 97	40	Rp 1 1/2	L 1	137,0	173,0	37,0	105,0	55
K- 07 30 02 98	50	Rp 2	L 1	161,0	196,5	47,5	115,0	71