

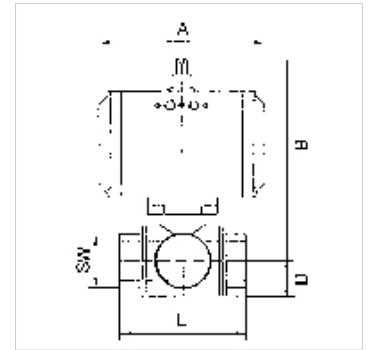
K-3 BKR STELLANTR D L MS

Brass ball valves, 3-way, with double-acting actuator, L-bore

HANSA FLEX

Vlastnosti

Konštrukcia	Pneumatic actuators, in double- or single acting version, with integrated end-position feedback
Otvor	Tvar L
Prevádzková teplota	-20 °C to +70 °C
Uhol otočenia	90 °
Riadiaci tlak	5.5 bar
Adaptér ventila	Supplied as standard
pohon	aluminium eloxed
tesnenie pohonu	NBR
guľový kohút	Chrome-plated brass, with ISO-flange plate
Tesnenie guľového kohúta	PTFE/FKM



Poznámka

G thread acc. to DIN EN ISO 228-1, with ISO flange plate (acc. to ISO 5211)

Ďalšie údaje na vyžiadanie.

Popis

3-way cock, L-bore, full bore

Dodatočné informácie

Other T-positions on request

Výrobok

Označenie	DN	Závit	Poloha	PN (bar)	A: (mm)	B (mm)	D: (mm)	D (mm)	SW (mm)
K- 07 30 02 84	15	Rp 1/2	L	40	116,0	133,0	20,0	64,5	25
K- 07 30 02 85	20	Rp 3/4	L	40	116,0	137,0	24,0	76,0	31
K- 07 30 02 86	25	Rp 1	L	40	116,0	141,5	30,0	97,0	41
K- 07 30 02 87	32	Rp 1 1/4	L	40	133,0	165,5	37,0	118,0	55
K- 07 30 02 88	40	Rp 1 1/2	L	25	137,0	181,5	43,0	135,0	55
K- 07 30 02 89	50	Rp 2	L	25	161,0	204,0	56,0	157,0	67