

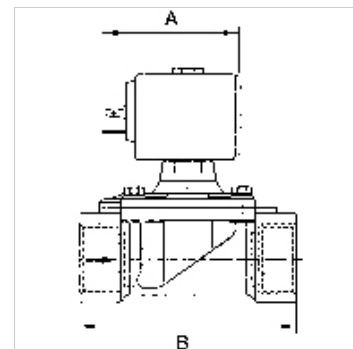
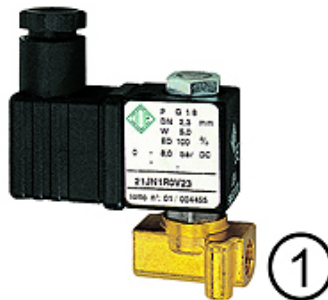
K-MV G D 24 V DC 1

Normally closed, directly operated, 24 V DC (direct current)

HANSA FLEX

Vlastnosti

Elektrické pripojenie	For connector socket Pg 9/Pg 11, acc. to ISO 4400
Krytie	IP65 (with connector socket fitted)
Teplota média	-10 °C to +90 °C (NBR); -10 °C bis +140 °C (FKM)
kryt, sedlo ventíla	Brass
vnútorné diely	Stainless steel
tesnenie	Perbunan (NBR) or FKM



Poznámka

Ďalšie údaje na vyžiadanie.

Popis

Economy series available in three different versions: Directly operated, Combined operation, Pilot-operated. For all applications with compressed air, neutral gases or low-viscosity, neutral media.

Výrobok

Označenie	Závit	max. prevádzkový tlak (bar)	MS	Tesniaci materiál	A: (mm)	B: (mm)	vyhotovenie
K- 07 30 23 12	G 1/8	8	2,3	FKM	41,0	30,0	1
K- 07 30 23 13	G 1/8	9	2,5	FKM	54,0	40,0	2
K- 07 30 23 14	G 1/8	6	3,0	FKM	54,0	40,0	2
K- 07 30 23 15	G 1/4	9	2,5	FKM	54,0	40,0	2
K- 07 30 23 16	G 1/4	6	3,0	FKM	54,0	40,0	2
K- 07 30 23 17	G 1/4	2	4,5	FKM	54,0	40,0	2