

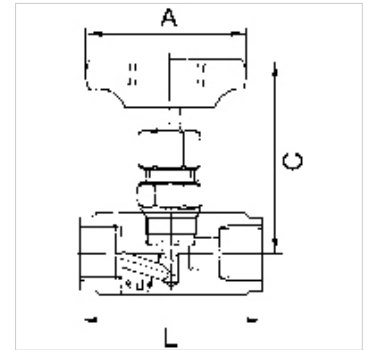
# K-NADELVENTILE VA

Needle valves

**HANSA FLEX**

## Vlastnosti

Prevádzkový tlak	max. 400 bar (at 20 °C); max. 250 bar (at G 1 - 20 °C)
Prevádzková teplota	-20 °C to +120 °C
Tesniaci materiál	PTFE
Kryt	Stainless steel 1.4571
ručné koleso	Plastic
Materiál	sealing: PTFE



## Poznámka

G thread acc. to DIN EN ISO 228-1, with ISO flange plate (acc. to ISO 5211)

Ďalšie údaje na vyžiadanie.

## Pokyny pre objednanie

For use on devices that have to be vented whenever they are turned off, either because of safety regulations or for technical reasons. The pneumatic devices are disconnected from the system and simultaneously vented each time they are shut off.

## Dodatočné informácie

Port sizes G 1 1/4, G 1 1/2 and G 2 available on request

## Výrobok

Označenie	DN	Závit	A: (mm)	C (mm)	D (mm)
K- 07 30 24 03	4	G 1/8	50,0	74,0	50,0
K- 07 30 24 04	5	G 1/4	50,0	73,0	50,0
K- 07 30 24 05	6	G 3/8	50,0	72,0	55,0
K- 07 30 24 06	8	G 1/2	63,0	83,0	60,0
K- 07 30 24 07	10	G 3/4	63,0	100,0	75,0
K- 07 30 24 08	12	G 1	80,0	110,0	100,0