

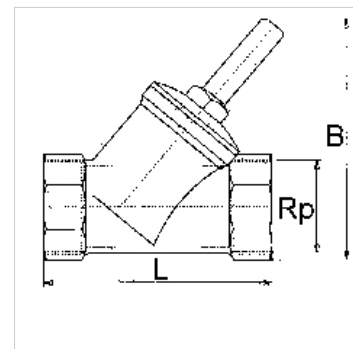
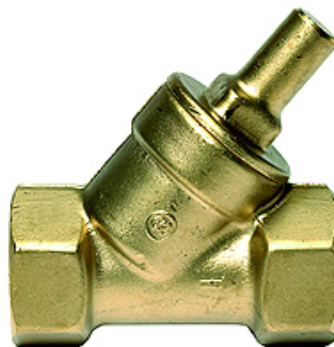
K-RD SCHRAEGSITZ MS

Unidirectional valves

HANSA FLEX

Vlastnosti

| | |
|-------------------|----------------------------|
| Prevádzkový tlak | max. 10 bar |
| Popis závitů | Rp thread acc. to DIN 2999 |
| Teplota média | max. +80 °C |
| Otvárací tlak | min. 0.5 bar |
| Teplota okolia | Max. +80 °C |
| Tesniaci materiál | NBR |
| Kryt | Brass |



Poznámka

Ďalšie údaje na vyžiadanie.

Výrobok

| Označenie | Závit | B (mm) | D (mm) | SW (mm) |
|----------------|----------|-----------|-----------|------------|
| K- 07 30 24 75 | Rp 3/8 | 50,0 | 55,0 | 27 |
| K- 07 30 24 76 | Rp 1/2 | 50,0 | 59,0 | 27 |
| K- 07 30 24 77 | Rp 3/4 | 60,0 | 67,0 | 32 |
| K- 07 30 24 78 | Rp 1 | 71,0 | 83,0 | 38 |
| K- 07 30 24 79 | Rp 1 1/4 | 97,0 | 96,0 | 48 |
| K- 07 30 24 80 | Rp 1 1/2 | 114,0 | 106,0 | 54 |
| K- 07 30 24 81 | Rp 2 | 135,0 | 130,0 | 68 |