

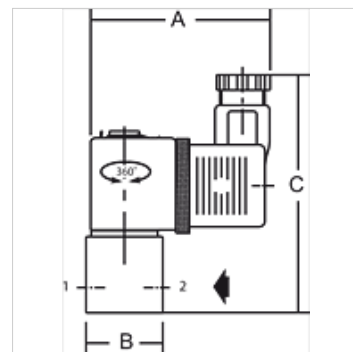
# K-PROP VENTIL WA 24 V DC

Proportional valves for controlling the flow of water / oil, 24 VDC, closed when de-energised

**HANSA FLEX**

## Vlastnosti

<b>Rozsah teplôt</b>	Max. 50 °C (G 1/8), Max. 90 °C (G 1/4, G 3/8)
<b>Médiá</b>	Air, neutral gases, water, oil
<b>Rozsah tlaku</b>	Vacuum (max. 8 bar)
<b>Ovládanie</b>	Via plug amplifier 0 to 10 V, 0 to 20 mA, 4 to 20 mA
<b>Chovanie Fallsafe</b>	Tight closure in case of loss of voltage
<b>kryt, sedlo ventilu</b>	Brass
<b>vnútorné diely</b>	Stainless steel
<b>tanier ventilu</b>	FKM
<b>Tesniaci materiál</b>	FKM



## Poznámka

Ďalšie údaje na vyžiadanie.

## Popis

Ever increasing requirements with regard to quality, precision, productivity, convenience, user friendliness and service represent tough challenges for industrial plant and production facilities. These challenges can only be mastered if physical quantities such as temperature, pressure, force, speed, torque, etc. are optimally adapted to the operating conditions of each installation. Stepless adjustment of these parameters is vital. Proportional valves allow the medium to be varied as a function of an electronic input variable. By linking these valves to the electronics, it is possible to improve their accuracy and broaden their range of applications. A pressure regulator, for instance, needs to be suitable for several pressure ranges without having to adjust the pressure manually. Proportional valves control the output pressure in a closed control loop proportionally to the selected setpoint signal. This output pressure, in other words, is continually compared with the specified setpoint and automatically adjusted according to actual parameter values.

## Dodatočné informácie

We recommend combining these proportional valves with a plug amplifier, type K-07250999 or K-07251000

We recommend combining these proportional valves with a plug amplifier, type K-07250999 or K-07251000

## Výrobok

Označenie	Prípojka	DN	max. prevádzkový rozdiel tlakov (bar)	A: (mm)	B	C (mm)
K- 07 25 09 95	G 1/4	2	8	85,0	40,0 mm	95,0
K- 07 25 09 96	G 1/4	3	4	85,0	40,0 mm	95,0
K- 07 25 09 97	G 3/8	6	1	85,0	48,0 mm	97,0
K- 07 25 09 98	G 3/8	7	1	85,0	48,0 mm	97,0