

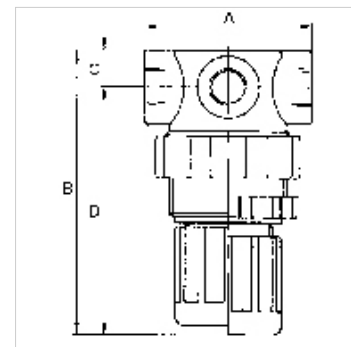
K-DBV MANO 1/4"

Pressure limiting valves size 1/4

HANSA FLEX

Vlastnosti

Konštrukcia	Spring-loaded, non-return diaphragm valve with adjustable opening pressure
Teplota média	max. 60 °C
Teplota okolia	Max. 60 °C
Tesniaci materiál	NBR
kryt pružiny	POM/brass
Kryt	Die-cast zinc, painted silver
Membrána	NBR



Poznámka

Ďalšie údaje na vyžiadanie.

Popis

Manually adjustable overflow valves. For protecting pneumatic systems against damage caused by excess pressure.

Výrobok

Označenie	Závit	Rozsah regulácie	A: (mm)	B	C (mm)	D: (mm)
K- 07 25 01 93	G 1/4	0.1 - 2.0 bar	43,0	70,0 mm	10,0	60,0
K- 07 25 01 94	G 1/4	0.1 - 3.0 bar	43,0	70,0 mm	10,0	60,0
K- 07 25 01 95	G 1/4	0.15 - 7.0 bar	43,0	70,0 mm	10,0	60,0
K- 07 25 01 96	G 1/4	0.5 - 10.0 bar	43,0	70,0 mm	10,0	60,0

Náhradné diely

K-HALTERBAUSATZ	Holder
K-SCHALTTAFELMUTTER	Nut
K-VERSCHLEI-SATZ	Set of wearing parts
K-SCHALLDAE SINTERBR AG 569	Silencers, sintered bronze, flat type with male thread, 569 Series
K-GERAETESTECKER	Coupling socket