

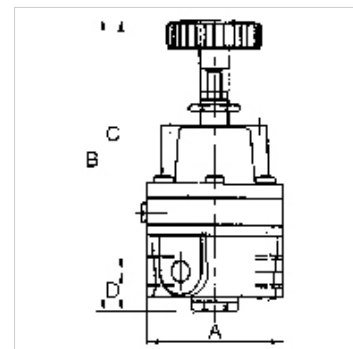
# K-PRAEZI DRUCKREGL MEM SELU

Precision pressure regulators

**HANSA FLEX**

## Vlastnosti

Vstupný tlak	Max. 16 bar
Teplota média	max. 60 °C
Teplota okolia	Max. 60 °C
Médiá	Micro-filtered, unooled compressed air (0.01 µm)
Prípojka pre manometer	G 1/8
Tesniaci materiál	NBR
Kryt	Die-cast zinc
Spotreba vlastného vzduchu	2.2 - 4.5 l/min, depending on input pressure and control range



## Poznámka

The given flow rates are based on the following parameters: 450 l/min: P1: 5 bar, P2: 2 bar,  $\Delta p \leq 0.1$  bar

570 l/min: P1: 7 bar, P2: 4 bar,  $\Delta p \leq 0.1$  bar

Attention! Wear parts kit not supplied! Pressure regulator may only be opened in the factory! 850 l/min: P1: 10 bar, P2: 7 bar,  $\Delta p \leq 0.1$  bar.

Ďalšie údaje na vyžiadanie.

## Popis

Diaphragm pressure regulators with self-relieving design for applications requiring an extremely accurate working pressure.

## Dodatočné informácie

1500 l/min: P1: 10 bar, P2: 7 bar,  $\Delta p \leq 0.1$  bar.

## Výrobok

Označenie	Závit	Rozsah regulácie	Prietok (L/min)	A: (mm)	B	C (mm)	D: (mm)
K- 07 25 09 43	G 1/4	0.05 - 2 bar	450	58,0	124,0 mm	107,0	17,0
K- 07 25 09 44	G 1/4	0.05 - 4 bar	570	58,0	124,0 mm	107,0	17,0
K- 07 25 09 45	G 1/4	0.05 - 7 bar	850	58,0	124,0 mm	107,0	17,0

## Náhradné diely

K-HALTERBAUSATZ	Holder
K-FILTERELEMENT	Filter element
K-MANO NIPPEL	Nipples for pressure gauges
K-XV AGM 2	Double nipples, parallel male thread