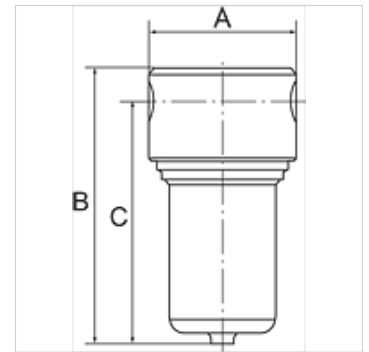


Vlastnosti

Vstupný tlak	Max. 50 bar
Teplota média	max. 80 °C
Teplota okolia	Max. 80 °C
Veľkosť pórov vo filtračnej vložke	50 µm
Tesniaci materiál	FKM
Materiál	stainless steel 1.4404 (AISI 316L)
Drain valve	Locking screw
Meranie prietoku množstva	At P1 = 6 bar and pressure drop $\Delta p \leq 0.6$ bar



Poznámka

Ďalšie údaje na vyžiadanie.

Popis

Stainless steel filters containing no non-ferrous metals for use in the food processing, chemical, mining, plant construction and special machinery industries as well as in the medical technology.

Pokyny pre objednanie

Important: This is not a sterile filter! With filter element 5 µm available on request. With manual or fully automatic drain valve on request. With NPT threads available on request.

Výrobok

Označenie	Závit	Prietok (L/min)	A: (mm)	B	C (mm)
K- 07 25 05 59	G 1/4	2500	64,0	139,0 mm	125,0
K- 07 25 05 58	G 1/2	3400	80,0	150,0 mm	130,0

Príslušenstvo

K-HALTERBAUSATZ Holder

Náhradné diely

K-VERSCHLEI-SATZ Set of wearing parts