

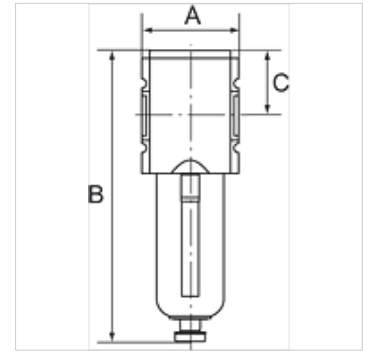
# K-FI AK KOH PC-BEHAE SCHUTZK HANSA

Activated carbon filters

**HANSA FLEX**

## Vlastnosti

Vstupný tlak	0 - 16 bar
Rozsah teplôt	-10 °C to +50 °C
Médiá	Tlakový vzduch
Pripojovací závit	Material: Die-cast zinc
Zásobník	Polycarbonate (with bayonet lock)
filtračná vložka	Activated carbon
Kryt	Material: Grivory® (PA 66)
ochranný košík	Polyamide
Obsah zvyškov oleja	0.005 mg/m <sup>3</sup> , class 0 acc. to DIN ISO 8573-1
Meranie prietočného množstva	At P2 = 6 bar and pressure drop $\Delta p = 0.5$ bar



## Poznámka

Ďalšie údaje na vyžiadanie.

## Popis

Activated carbon filters in modern design for compliance with strict compressed air purity requirements. Activated carbon filters are used to absorb oil vapour up to a residual oil content of 0.005 mg/m<sup>3</sup> from compressed air and gases.

## Výrobok

Označenie	Závit	Prietok (L/min)	A: (mm)	B	C (mm)
K- 07 25 10 41	G 1/4	500	52,0	157,0 mm	34,0
K- 07 25 10 42	G 3/8	500	52,0	157,0 mm	34,0
K- 07 25 10 43	G 3/8	1600	63,0	183,0 mm	42,5
K- 07 25 10 44	G 1/2	1600	63,0	183,0 mm	42,5
K- 07 25 10 23	G 3/4	3000	85,0	240,5 mm	58,0
K- 07 25 10 24	G 1	3000	85,0	240,5 mm	58,0

## Náhradné diely

K-HALTERBAUSATZ HANSA	Holder HANSA
K-ERSATZBEHAELTER HANSA POLY	Spare tank HANSA polycarbonat